

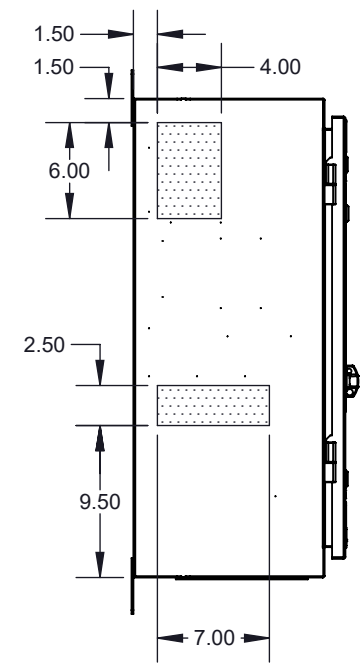
NOTES:
 1. COMPLETE ASSEMBLY IS UL LISTED AS A MANUAL TRANSFER SWITCH UNDER UL 1008 (TRANSFER SWITCH STANDARD)
 2. FINISH POWDER COATED SERIES W49. SEE TITLE BLOCK FOR COLOR.
 3. STANDARD UNIT IS NON-SWITCHED NEUTRAL. FOR SWITCHED NEUTRAL PLEASE CONSULT FACTORY.
 4. TYPE 3R CONSTRUCTION
 5. NOT FOR INDOOR USE. FOR INDOOR USE, PLEASE CONSULT FACTORY.
 6. OPTIONAL PLUG KITS AVAILABLE
 7. CONDUIT ENTRY AREA SHOWN DOTTED
 8. FOR AVAILABLE ACCESSORIES & OPTIONS SEE SPEC SHEET
 9. FOR SINGLE LINE VISIT WWW.ESLPWR.COM

D

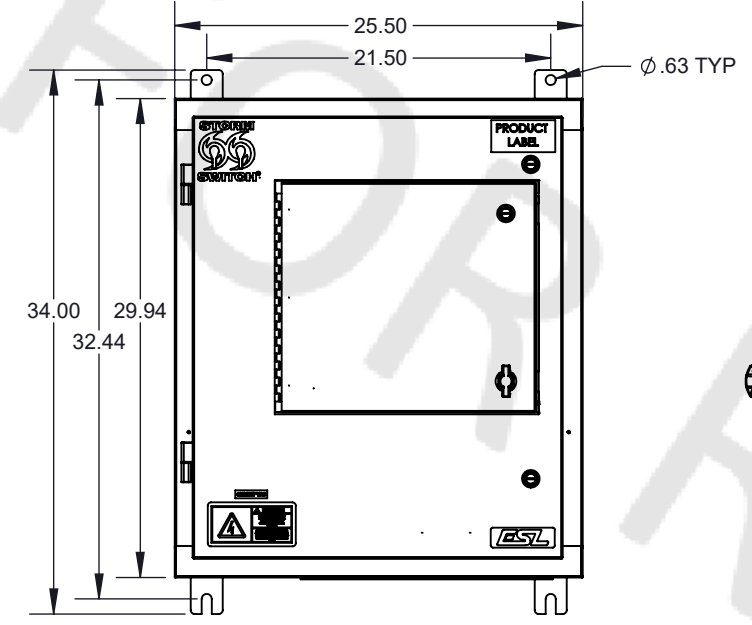
C

B

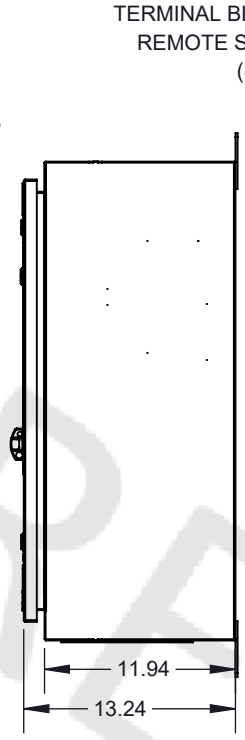
A



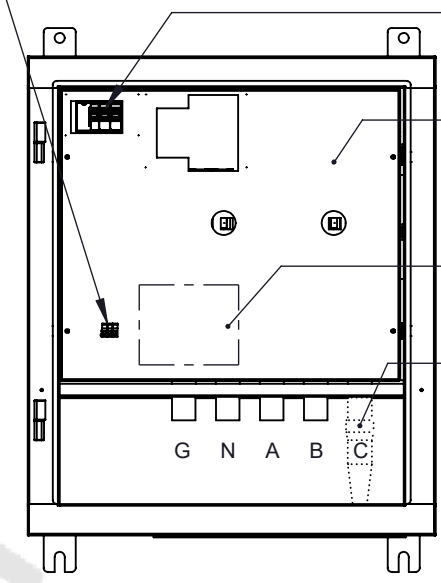
LEFT VIEW



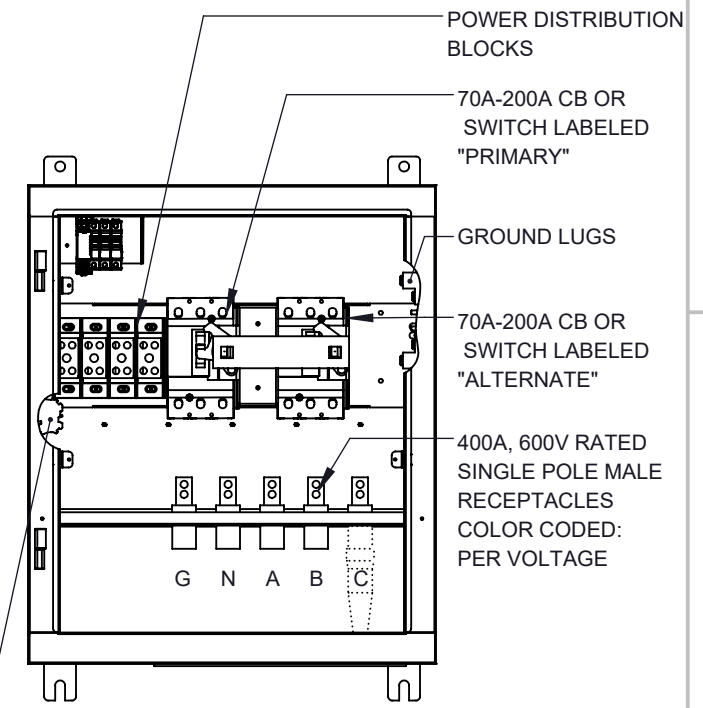
FRONT VIEW



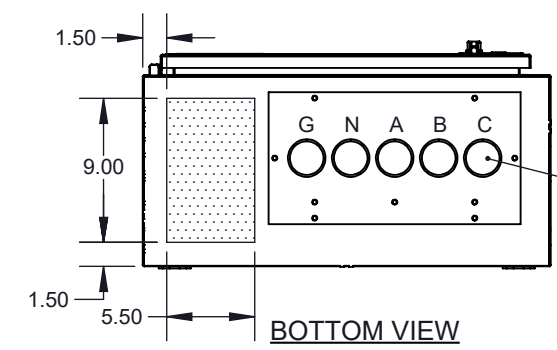
RIGHT VIEW



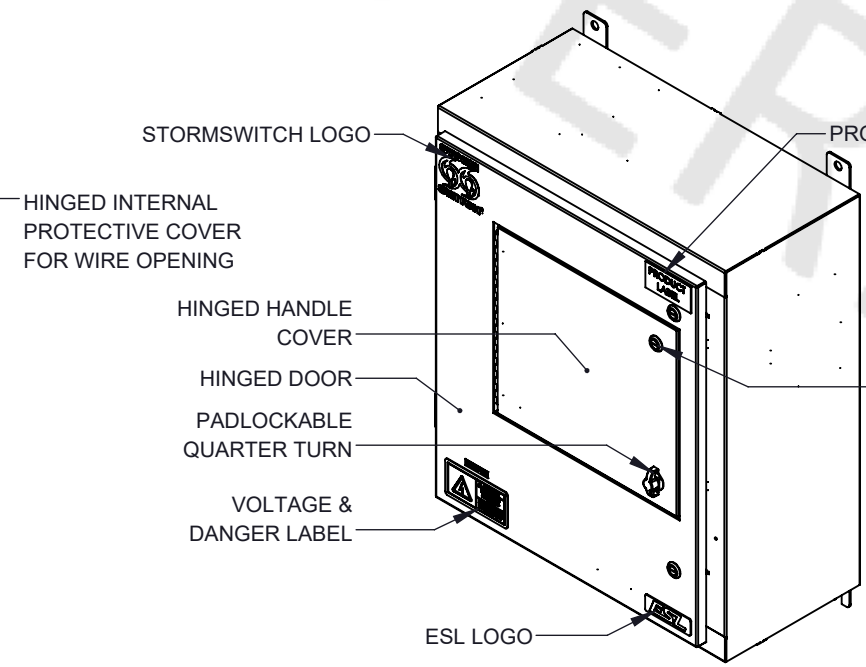
FRONT VIEW (DOORS REMOVED)



FRONT VIEW (DOORS & DEADFRONT REMOVED)



BOTTOM VIEW



ISOMETRIC VIEW

TABLE OF KAIC RATINGS

DISCONNECTS SWITCH	SHORT CIRCUIT RATING
10KA	
22KAIC	

REV.	BY	DATE	DESCRIPTION
1	ALS	12/9/2025	UPDATED TO LATEST STANDARDS
0	AD	3/27/2023	FOR REFERENCE

CREATED BY	AD	UNLESS OTHERWISE SPECIFIED: DIMENSIONS ARE IN INCHES TOLERANCES: DECIMALS .x ±.25 ANGULAR ±1/2° .XX ±.125 .XXX ±.062 BREAK ALL SHARP EDGES .005 - .010		CORONA, CALIFORNIA International: +1 (951) 739-7000 Phone: (800) 922-4188 eslpwr.com info@eslpwr.com
SCHEMATIC #:	0901----			
THICKNESS:	14GA	DO NOT SCALE		STORMSWITCH ENCLOSURE RATED 200A
MATERIAL:		PROPRIETARY		
FINISH:	WRINKLE GRAY (RAL7035)	THIS DOCUMENT AND THE DATA DISCLOSED HEREIN OR WHEREWITH IS NOT TO BE REPRODUCED, USED OR DISCLOSED IN WHOLE OR IN PART TO ANYONE WITHOUT THE PERMISSION OF ESL.	DWG NO.	3020-SERIES-D
REFERENCE:			WEIGHT:	127 lbs.
			REV.	1
			SHEET 1 of 1	