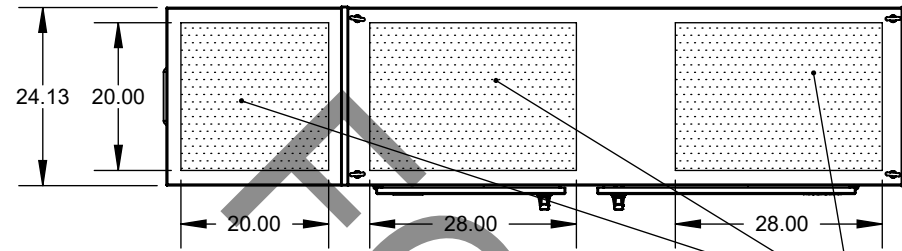


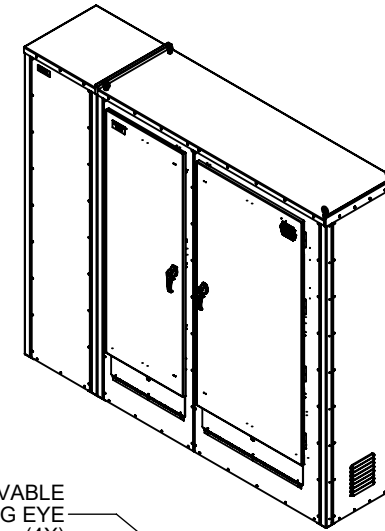
THIS DOCUMENT AND THE DATA DISCLOSED HEREIN OR WHEREWITH IS NOT TO BE REPRODUCED, USED OR DISCLOSED IN WHOLE OR IN PART TO ANYONE WITHOUT THE PERMISSION OF ESL.

NOTES:

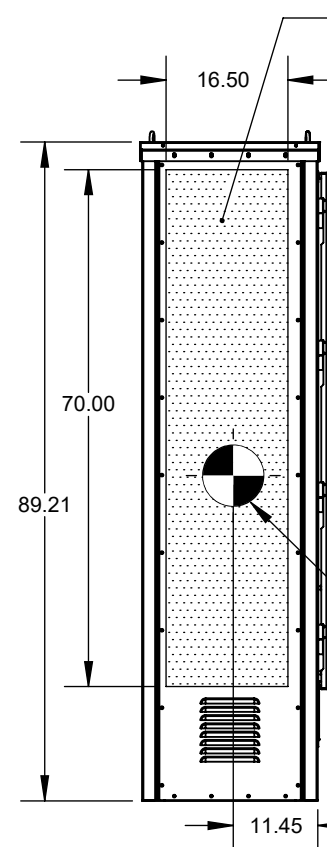
1. COMPLETE ASSEMBLY IS UL LISTED AS A MANUAL TRANSFER SWITCH UNDER UL 1008 (TRANSFER SWITCH STANDARD)
2. STANDARD UNIT IS NON-SWITCHED NEUTRAL. FOR SWITCHED NEUTRAL PLEASE CONSULT FACTORY.
3. FINISH: POWDER COATED SERIES W49
4. OPTIONAL PLUG KITS AVAILABLE
5. TYPE 3R CONSTRUCTION
6. NOT FOR INDOOR USE
7. FOAM SEAL INSIDE OF ALL CONDUIT ENTRIES



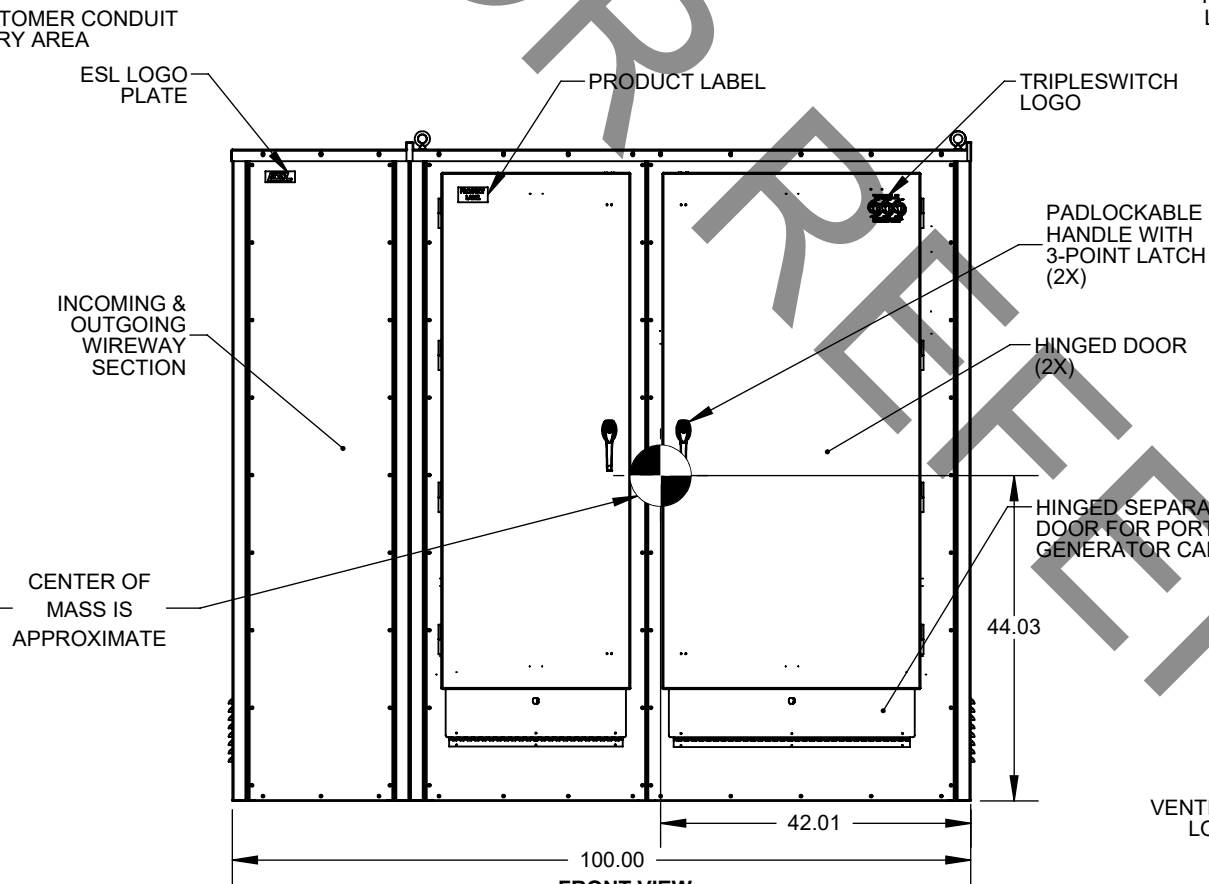
TOP VIEW



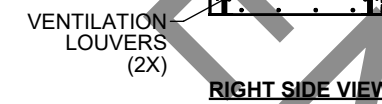
REMOVABLE LIFTING EYE (4X)



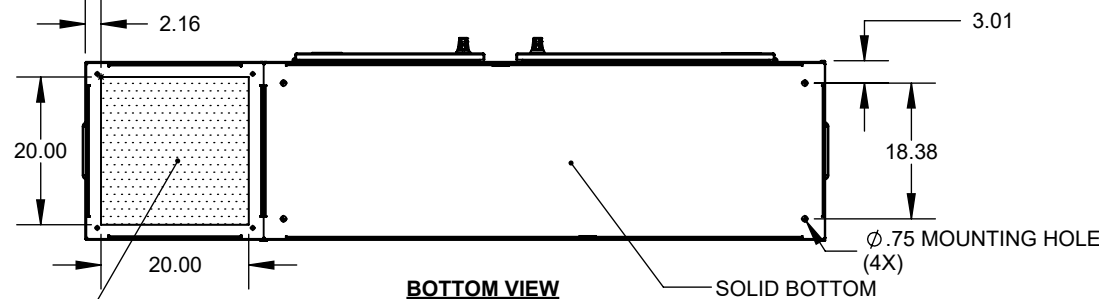
LEFT SIDE VIEW



FRONT VIEW



RIGHT SIDE VIEW



BOTTOM VIEW

TABLE OF KAIC RATINGS

DISCONNECTS	SHORT CIRCUIT RATING
SWITCH	10KA
CIRCUIT BREAKER	50KAIC



801-1600A 50/60Hz 3 ϕ + N + G
TRIPLE TRANSFER SWITCH

ITEM # 3116-SERIES

SERIAL # _____

MFG. DATE: _____

TYPE: 3R

SHORT CIRCUIT CURRENT RATING: 50,000 RMS SYMMETRICAL AMPS
COURANT NOMINAL DE COURT-CIRCUIT: 50,000 RMS SYMETRIQUES AMPERES
Corona, CA <> (800)922-4188 <> (951)739-7000 <> info@eslpwr.com



MATERIAL: GALV STEEL
THICKNESS: 12 GAUGE
COLOR: WRINKLE GRAY RAL 7035

ESL POWER SYSTEMS, INC.
CORONA, CALIFORNIA
(951) 739-7000 (800) 922-4188
eslpwr.com - info@eslpwr.com

EST. WEIGHT: 3324 Lbs.

801-1600A
TRIPLE TRANSFER SWITCH
3 PHASE + N + G

REFERENCE: (1050-20A-ASSY)

DRAWING NUMBER 3116-SERIES

SHEET 1 OF 2

MODEL: 3116-SERIES

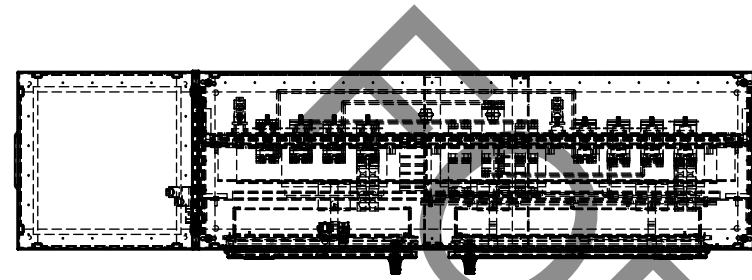
0	MAQ	12/2/2021
REV.	BY	DATE

FOR REFERENCE DESCRIPTION

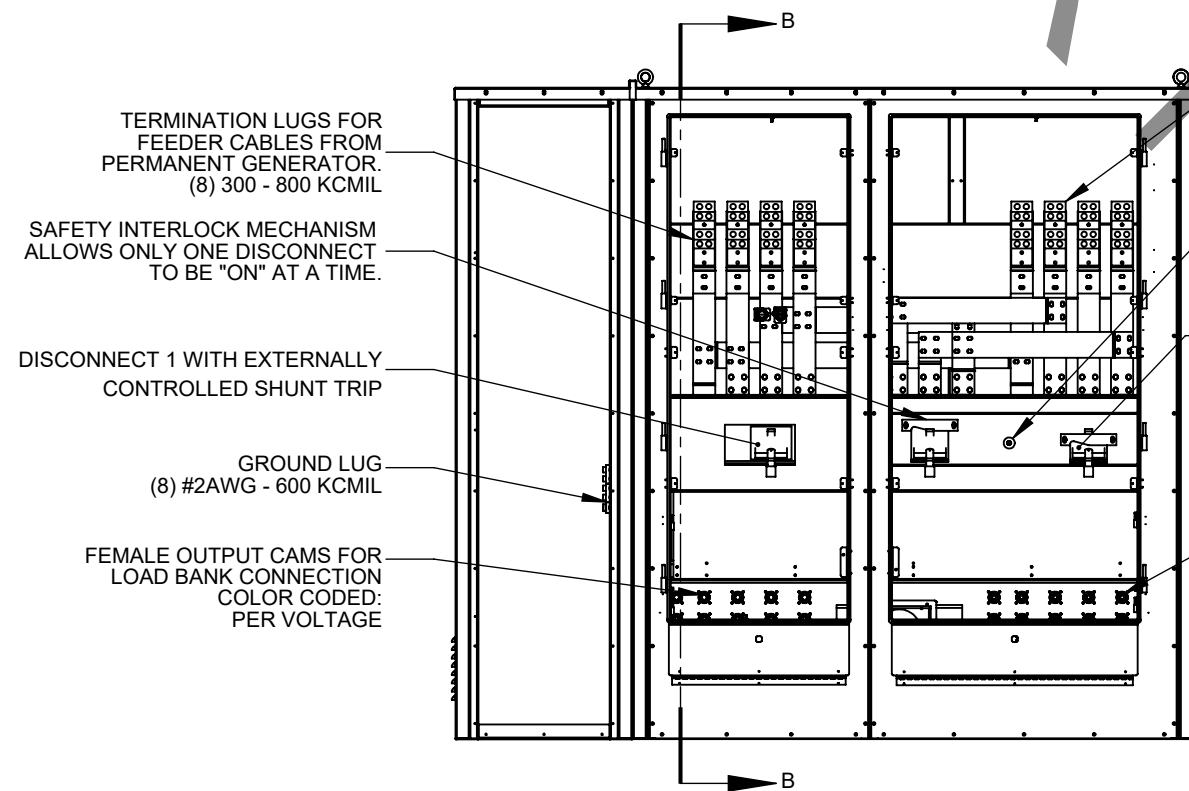
THIS DOCUMENT AND THE DATA DISCLOSED HEREIN OR WHEREWITH IS NOT TO BE REPRODUCED, USED OR DISCLOSED IN WHOLE OR IN PART TO ANYONE WITHOUT THE PERMISSION OF ESL.

NOTES:

1. CONDUIT HUBS AND MOUNTING HARDWARE TO BE SUPPLIED BY OTHERS.



TOP VIEW



FRONT VIEW
(DOORS AND DEADFRONTS REMOVED)

TERMINATION LUGS FOR OUTPUT CABLES TO ATS (8) 300 - 800 KCMIL

SAFETY INTERLOCK MECHANISM ALLOWS ONLY DISCONNECT 2 OR DISCONNECT 3 TO BE "ON" AT A TIME.

1600A 3-POLE DISCONNECT (3X)

MALE INPUT CAMS FOR EMERGENCY GENERATOR CONNECTION COLOR CODED: PER VOLTAGE

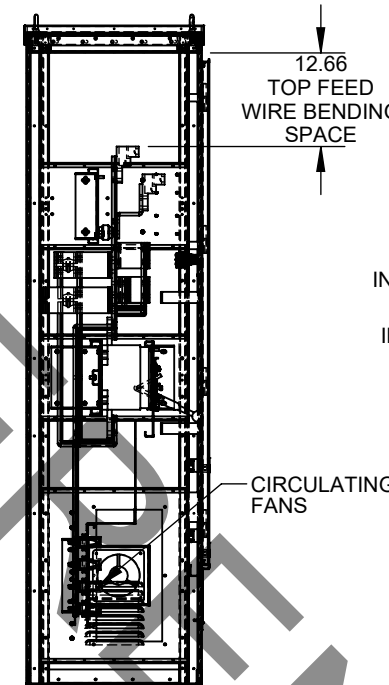
TERMINATION LUGS FOR FEEDER CABLES FROM PERMANENT GENERATOR. (8) 300 - 800 KCMIL

SAFETY INTERLOCK MECHANISM ALLOWS ONLY ONE DISCONNECT TO BE "ON" AT A TIME.

DISCONNECT 1 WITH EXTERNALLY CONTROLLED SHUNT TRIP

GROUND LUG (8) #2AWG - 600 KCMIL

FEMALE OUTPUT CAMS FOR LOAD BANK CONNECTION COLOR CODED: PER VOLTAGE



SECTION B-B

REMOVABLE DEADFRONT FOR OPERATOR SAFETY WHILE CONNECTING AND DISCONNECTING WIRING.

ARC FLASH REDUCTION SWITCH NEC 240.87 COMPLIANT (OPTIONAL)

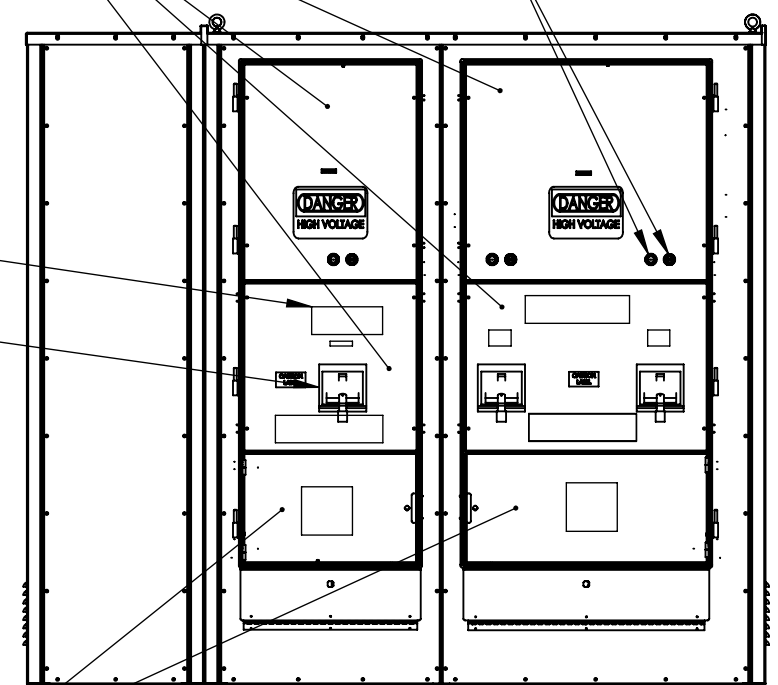
12.66 TOP FEED WIRE BENDING SPACE

OPERATING INSTRUCTIONS (2X)

INTERLOCKED DISCONNECT HANDLES (3X)

CIRCULATING FANS

HINGED DEADFRONT FOR OPERATOR SAFETY WHILE CONNECTING AND DISCONNECTING WIRING.



FRONT VIEW
(DOORS REMOVED)

MODEL: 3116-SERIES

0	MAQ	12/2/2021
REV.	BY	DATE

FOR REFERENCE
DESCRIPTION

MATERIAL:	GALV STEEL
THICKNESS:	12 GAUGE
COLOR:	WRINKLE GRAY RAL 7035
REFERENCE:	(1050-20A-ASSY)

ESL POWER SYSTEMS, INC.
CORONA, CALIFORNIA
(951) 739-7000 (800) 922-4188
eslpwr.com - info@eslpwr.com

801-1600A
TRIPLE TRANSFER SWITCH
3 PHASE + N + G

DRAWING NUMBER
3116-SERIES

SHEET
2 OF 2