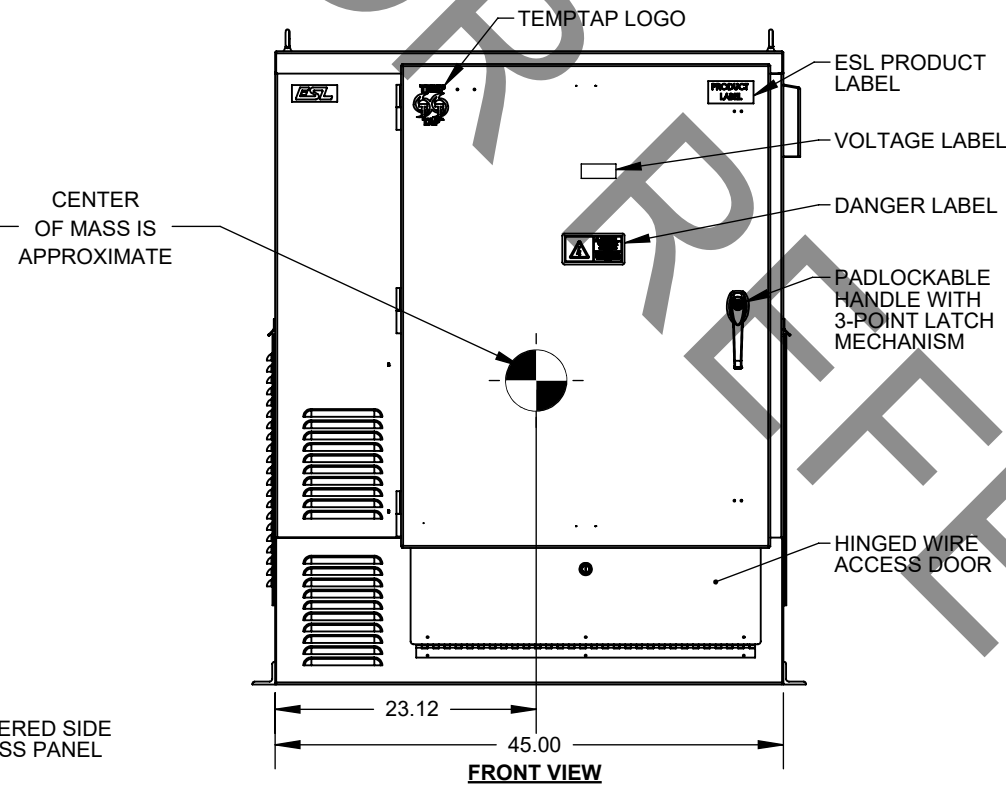
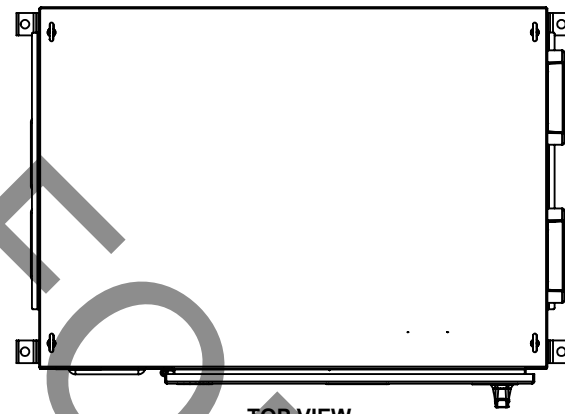
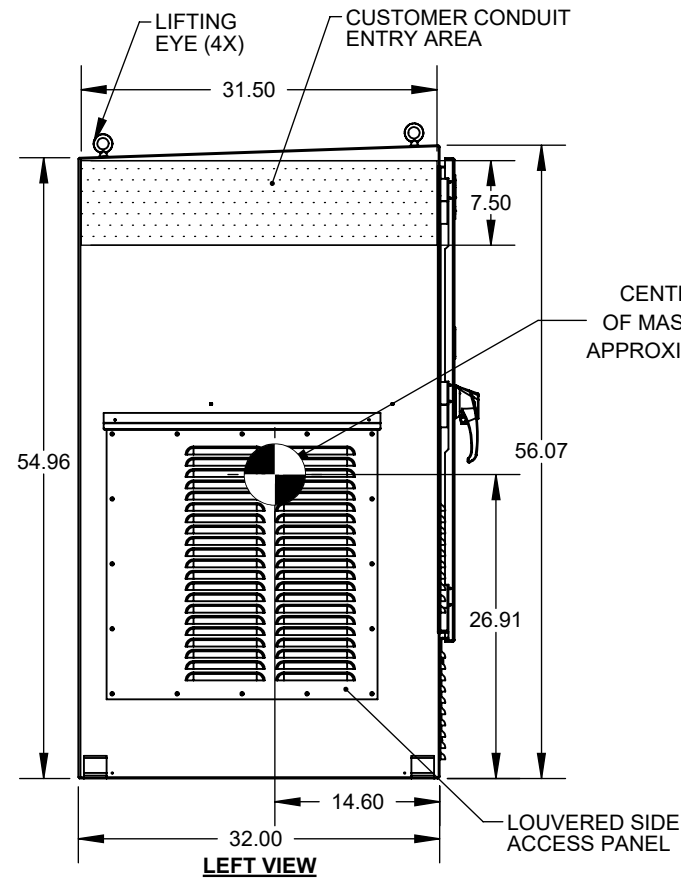


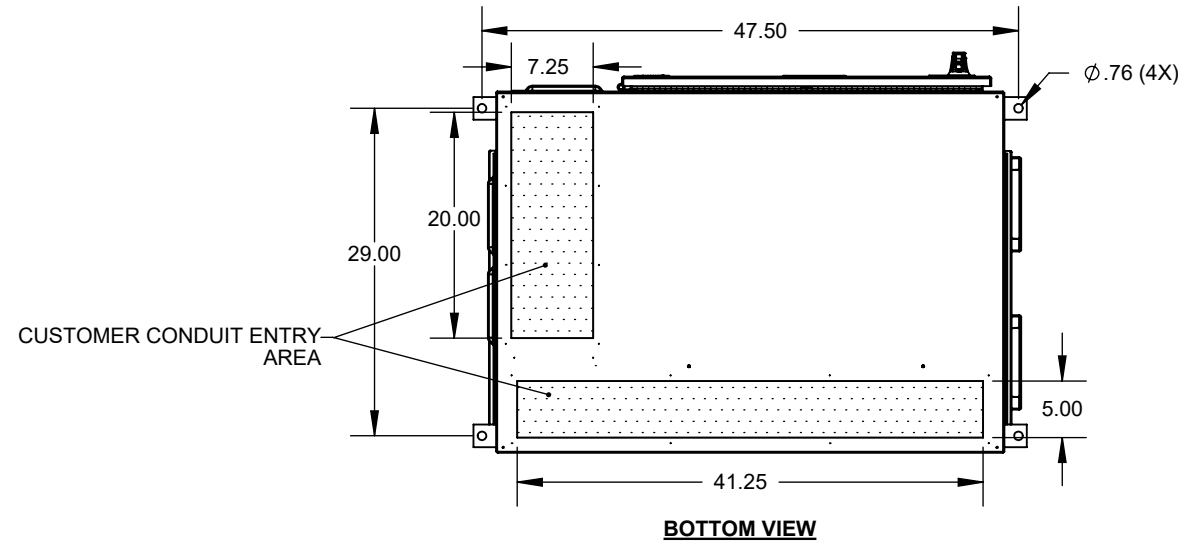
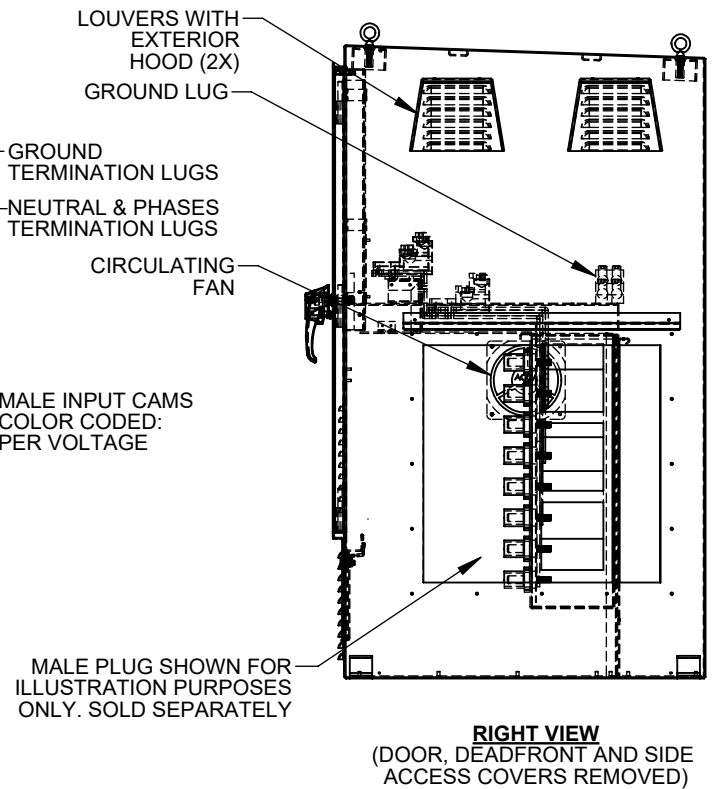
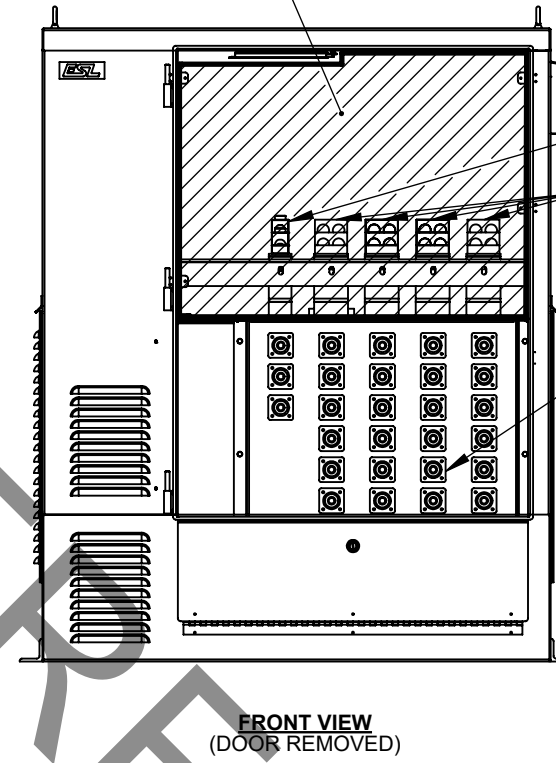
THIS DOCUMENT AND THE DATA DISCLOSED HEREIN OR WHEREWITH IS NOT TO BE REPRODUCED, USED OR DISCLOSED IN WHOLE OR IN PART TO ANYONE WITHOUT THE PERMISSION OF ESL.

NOTES:

1. FINISH POWDER COAT SERIES W49 SEE TITLE BLOCK FOR COLOR.
2. TYPE 3RX CONSTRUCTION.
3. NOT FOR INDOOR USE
4. FOAM SEAL INSIDE OF ALL CONDUIT ENTRIES
5. OPTIONAL PLUG KITS AVAILABLE



DEADFRONT SHOWN SHADED



TRANSFER SWITCH ACCESSORY
 CAM-STYLE INLET BOX

ITEM# 3632-SERIES MFG. DATE:
 SERIAL # TYPE:3RX
 SHORT CIRCUIT WITHSTAND RATING: 42,000 RMS SYMMETRICAL AMPS
 RESISTER NOMINAL DE COURT-CIRCUIT: 42,000 RMS SYMETRIQUES AMPERES
 Corona, CA <> (800) 922-4188 <> (951)739-7000 <> info@eslpwr.com

EST. WEIGHT: 585 Lbs.

MATERIAL: 304SS
 THICKNESS: 12 GAUGE
 COLOR: WRINKLE GRAY (RAL 7038)
 REFERENCE: 1190-42S

ESL POWER SYSTEMS, INC.
 CORONA, CALIFORNIA
 (951) 739-7000 (800) 922-4188
 eslpwr.com - info@eslpwr.com

2001-3200A
 SINGLE STAB CAM INLET BOX
 TEMP TAP
 3 PHASES + N + G

DRAWING NUMBER
 3632-SERIES

SHEET
 1 OF 1

MODEL: 3632-SERIES

0	MAQ	12/30/2021
REV.	BY	DATE

FOR REFERENCE
 DESCRIPTION