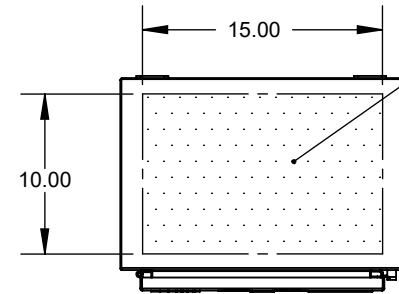


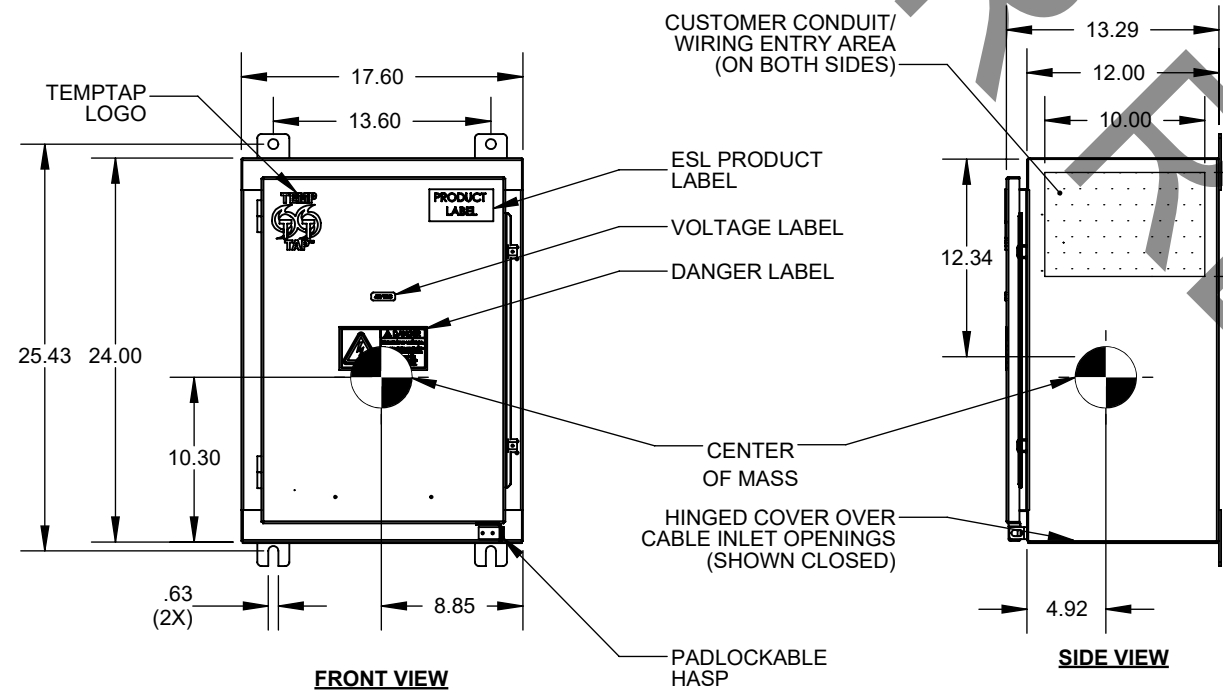
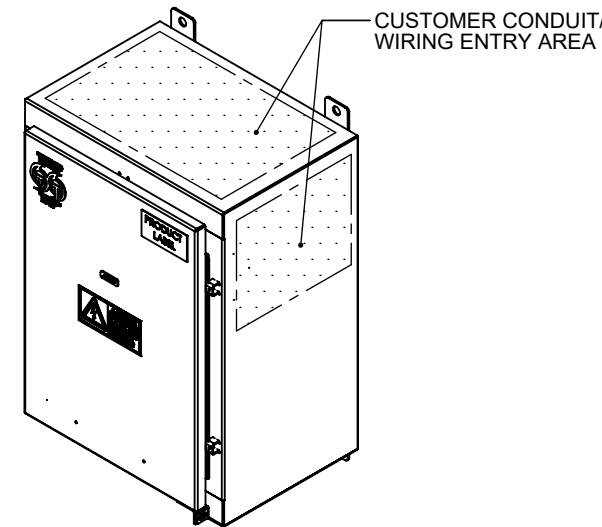
THIS DOCUMENT AND THE DATA DISCLOSED HEREIN OR WHEREWITH IS NOT TO BE REPRODUCED, USED OR DISCLOSED IN WHOLE OR IN PART TO ANYONE WITHOUT THE PERMISSION OF ESL.

**NOTES:**

1. FINISH: POWDER COATED SERIES W49
2. TYPE 3R CONSTRUCTION
3. NOT FOR INDOOR USE
4. OPTIONAL PLUG KITS AVAILABLE
5. FOAM SEAL INSIDE OF ALL CONDUIT ENTRIES

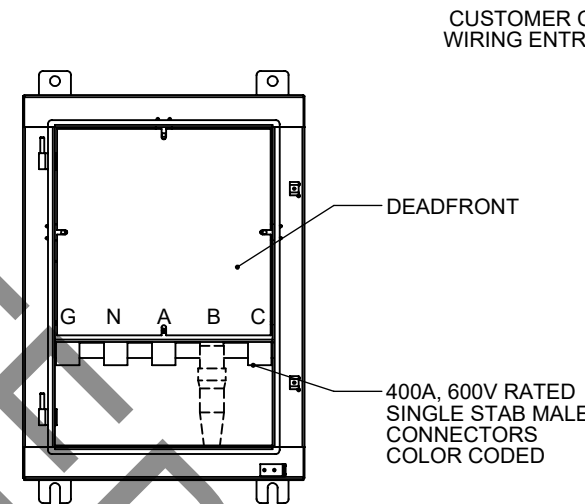


**TOP VIEW**

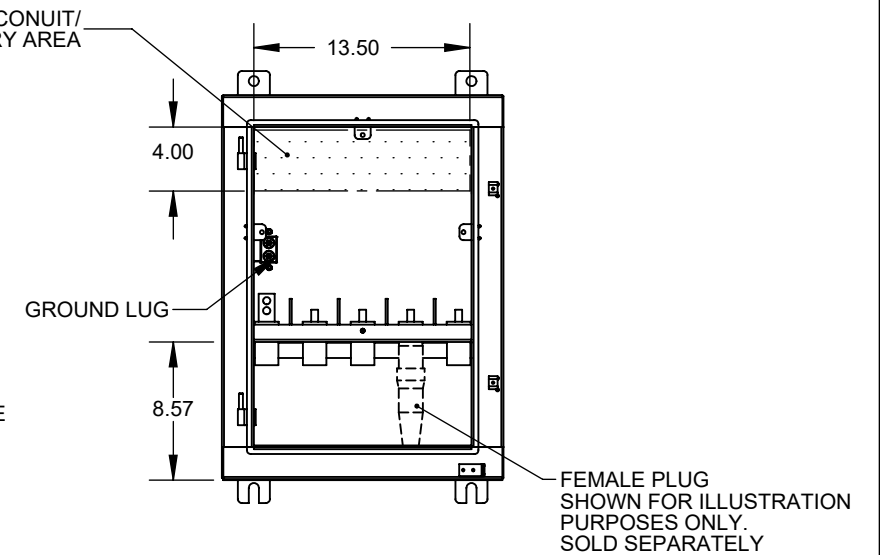


**FRONT VIEW**

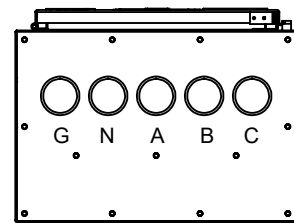
**SIDE VIEW**



**FRONT VIEW (DOOR NOT SHOWN)**



**FRONT VIEW (DOOR & DEADFRONT NOT SHOWN)**



**BOTTOM VIEW (WIRE ACCESS DOOR SHOWN OPEN)**



**ESL** POWER SYSTEMS 1 OF 1

**UL** 4NM1 US LISTED

**400A 50/60Hz 3 $\phi$  + N + G**

**TRANSFER SWITCH ACCESSORY**

**CAM-STYLE INLET BOX**

ITEM # 3640-SERIES SERIAL # \_\_\_\_\_

SHORT CIRCUIT CURRENT RATING: 22,000 RMS SYMMETRICAL AMPS  
RESISTER NOMINAL DE COURT-CIRCUIT: 22,000 RMS SYMETRIQUES AMPERES  
Corona, CA <> (800)922-4188 <> (951)739-7000 <> info@eslpwr.com

MODEL: 3640-SERIES

0	MAQ	7/9/2021
REV.	BY	DATE

FOR REFERENCE  
DESCRIPTION

MATERIAL:	GALV STEEL
THICKNESS:	12 GAUGE
COLOR/FINISH:	WRINKLE GRAY (RAL 7035)
REFERENCE:	1190-12

**ESL** POWER SYSTEMS, INC.  
CORONA, CALIFORNIA  
(951) 739-7000 (800) 922-4188  
eslpwr.com - info@eslpwr.com

WEIGHT: 55 Lbs.

400A  
SINGLE STAB CAM INLET BOX  
3-PHASES + N + G

PART NUMBER  
**3640-SERIES**

SHEET  
1 OF 1