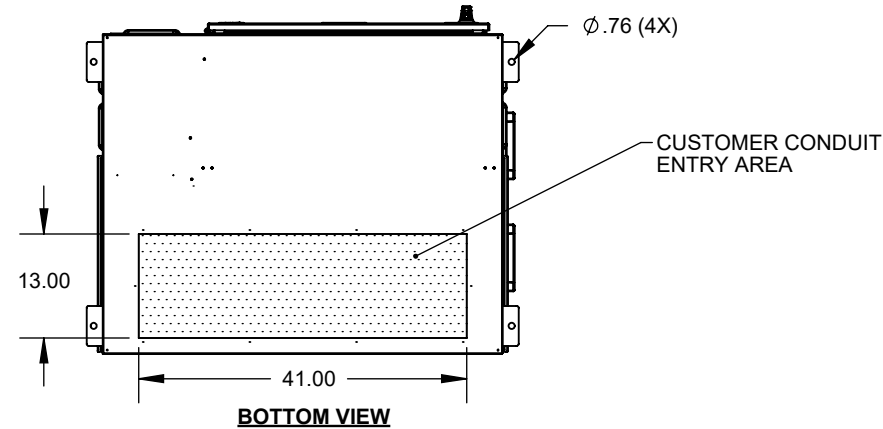
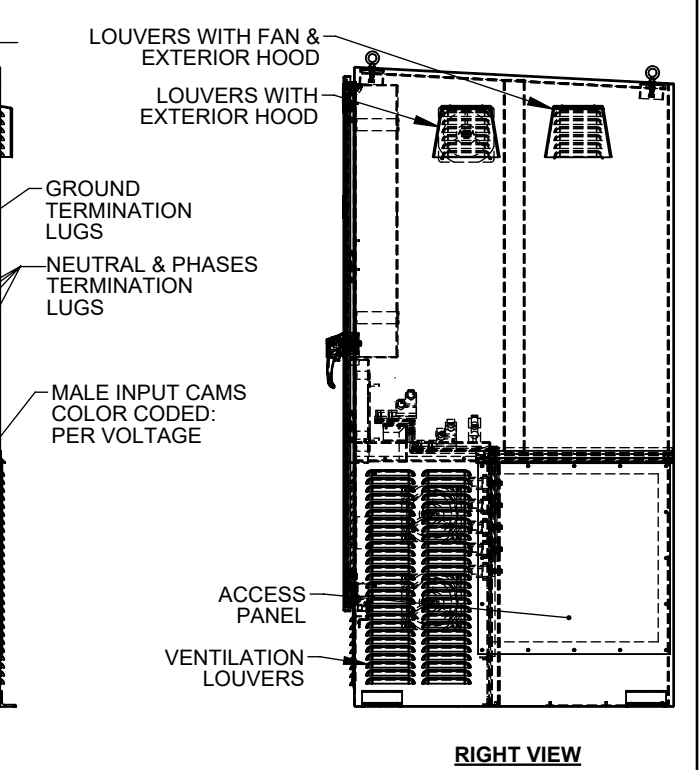
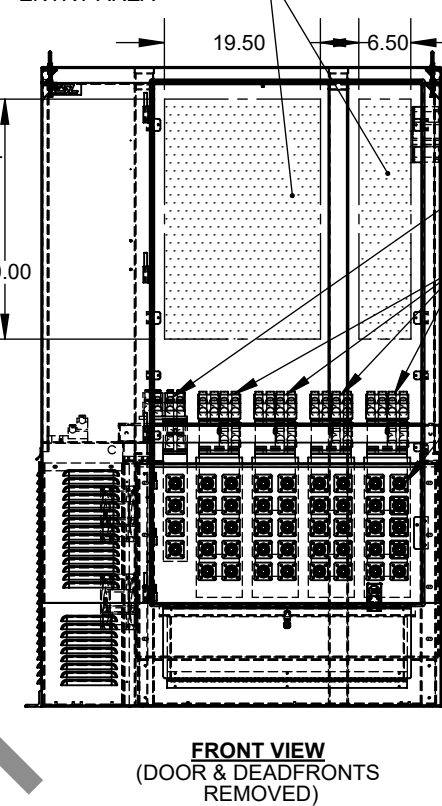
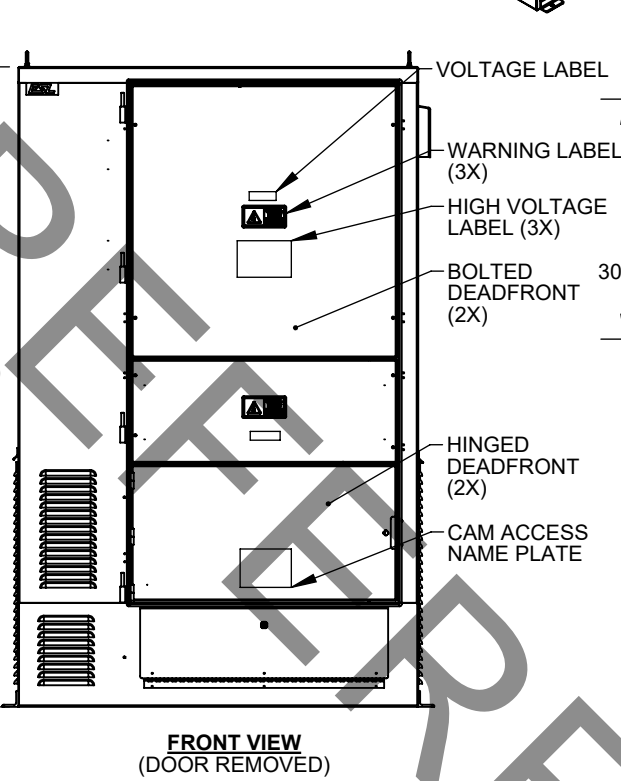
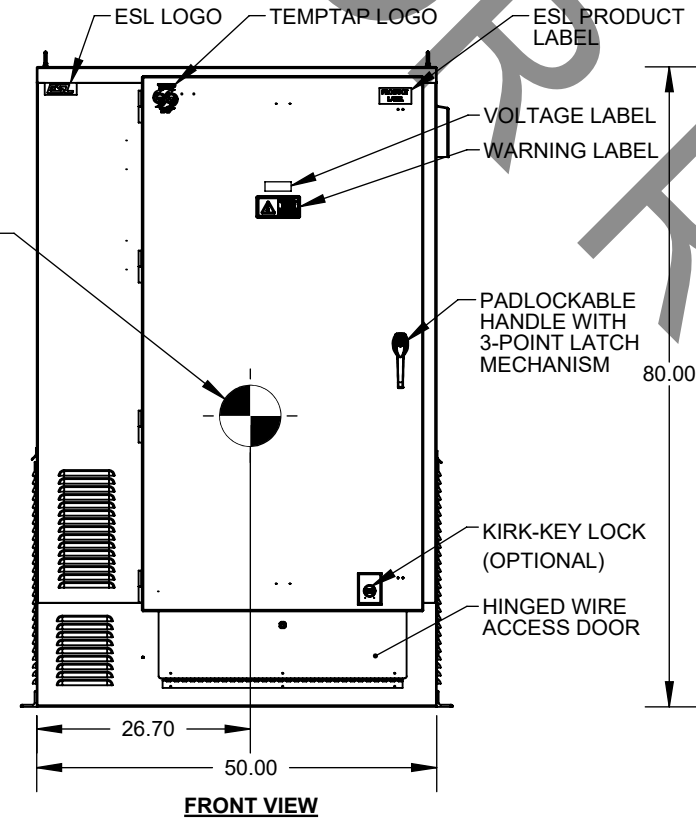
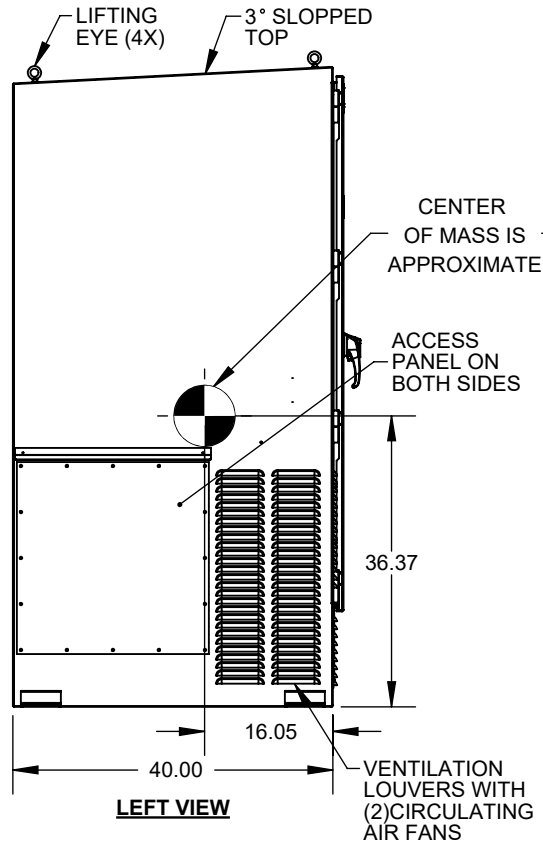
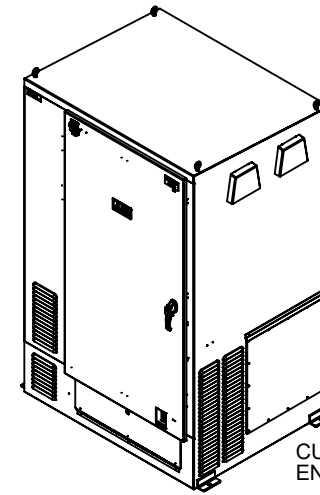
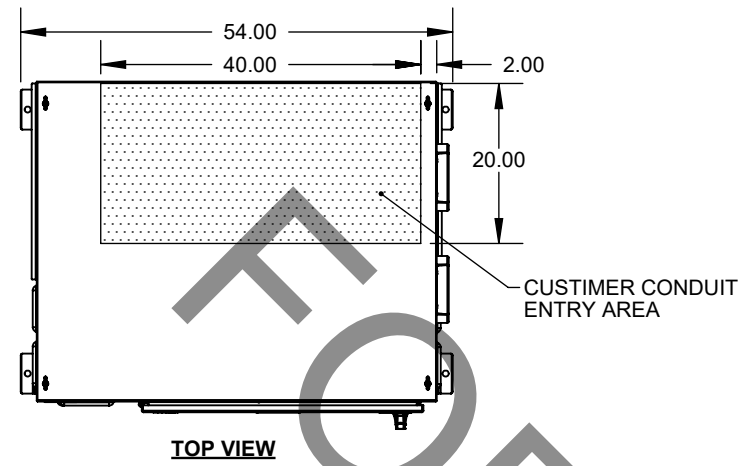


THIS DOCUMENT AND THE DATA DISCLOSED HEREIN OR WHEREWITH IS NOT TO BE REPRODUCED, USED OR DISCLOSED IN WHOLE OR IN PART TO ANYONE WITHOUT THE PERMISSION OF ESL.

NOTES:

1. FINISH POWDER COAT SERIES W49 PER ESL COATING SPECIFICATION 9910-03. SEE TITLE BLOCK FOR COLOR.
2. TYPE 3R CONSTRUCTION.
3. NOT FOR INDOOR USE
4. FOAM SEAL INSIDE OF ALL CONDUIT ENTRIES
5. OPTIONAL PLUG KITS AVAILABLE



ESL
POWER SYSTEMS

4000-5000A 50/60Hz 3 ϕ + N + G
TRANSFER SWITCH ACCESSORY
CAM-STYLE INLET BOX

ITEM # 3644-SERIES MFG. DATE: _____
SERIAL # _____ TYPE: 3R

SHORT CIRCUIT WITHSTAND RATING: 42,000 RMS SYMMETRICAL AMPS
RESISTER NOMINAL DE COURT-CIRCUIT: 42,000 RMS SYMETRIQUES AMPERES
Corona, CA 92880 <-> (800)922-4188 <-> (951)739-7000 <-> info@eslpwr.com



MATERIAL:	GALVANNEALED STEEL
THICKNESS:	12 GAUGE
COLOR:	WRINKLE GRAY (RAL 7035)
REFERENCE:	1190-47

ESL POWER SYSTEMS, INC.
CORONA, CALIFORNIA
(951) 739-7000 (800) 922-4188
eslpwr.com - info@eslpwr.com

EST. WEIGHT:	1110 Lbs.
4000-5000A SINGLE STAB CAM INLET BOX TEMPTAP 3 PHASES + N + G	
DRAWING NUMBER	3644-SERIES
SHEET	1 OF 1

MODEL: 3644-SERIES

0	MAQ	12/29/2021	
REV.	BY	DATE	

FOR REFERENCE DESCRIPTION