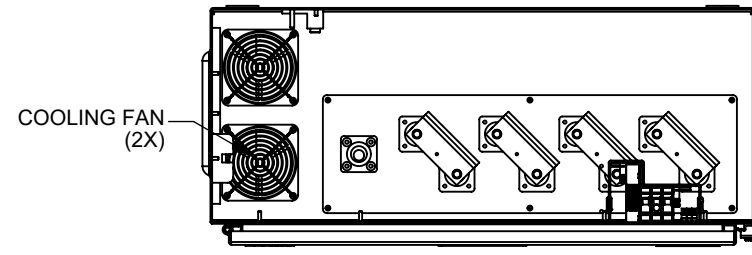


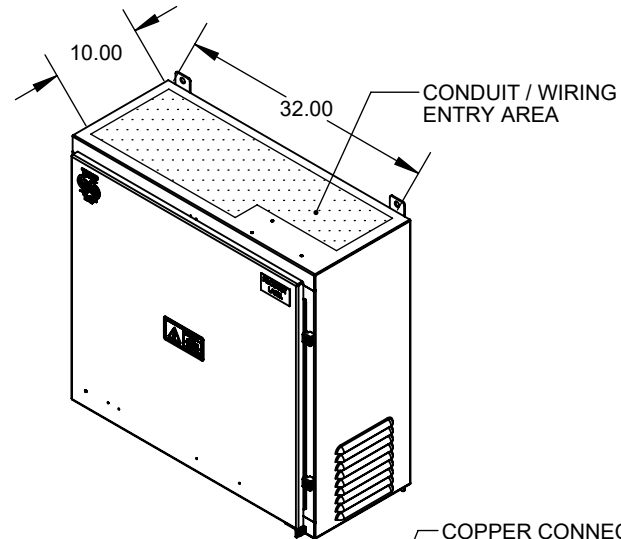
THIS DOCUMENT AND THE DATA DISCLOSED HEREIN OR WHEREWITH IS NOT TO BE REPRODUCED, USED OR DISCLOSED IN WHOLE OR IN PART TO ANYONE WITHOUT THE PERMISSION OF ESL.

NOTES:

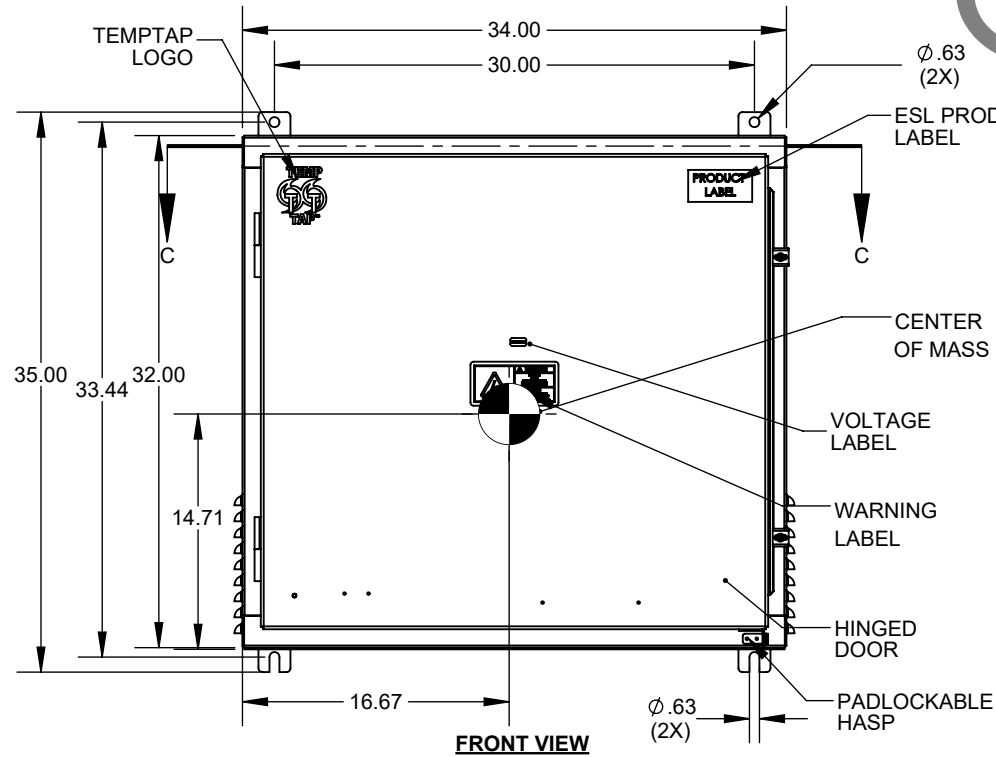
1. FINISH: POWDER COATED SERIES W49
2. TYPE 3R CONSTRUCTION
3. NOT FOR INDOOR USE
4. OPTIONAL PLUG KITS AVAILABLE
5. FOAM SEAL INSIDE OF ALL CONDUIT ENTRIES



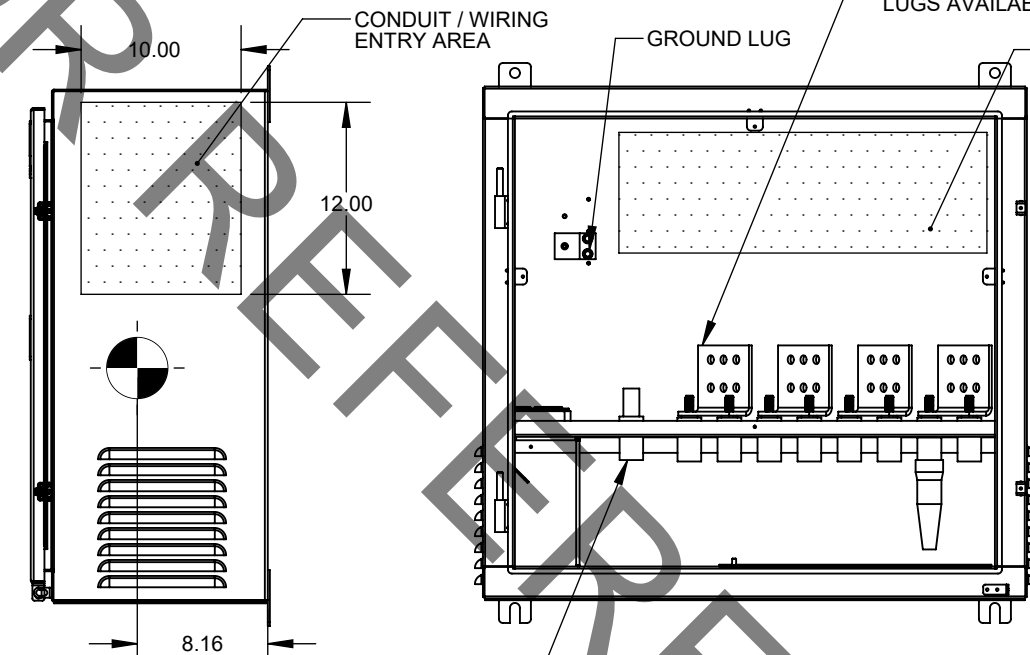
SECTION C-C



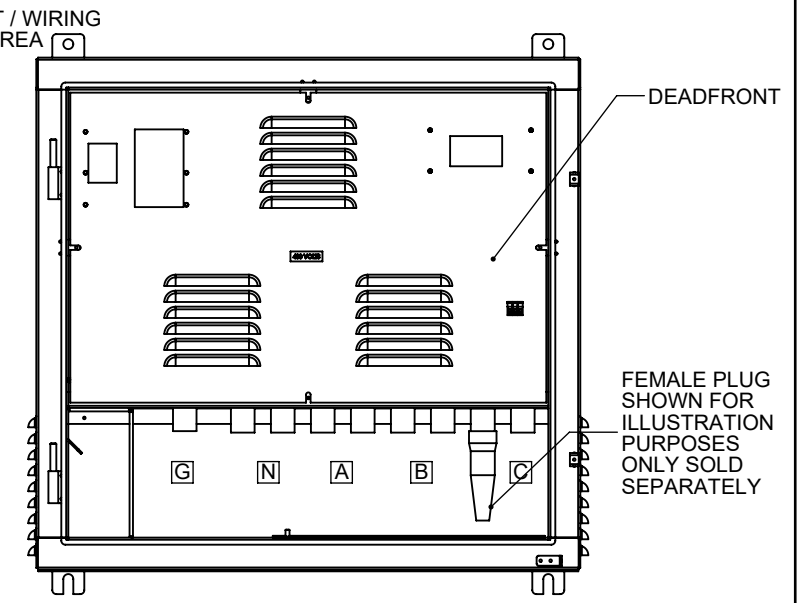
CONDUIT / WIRING ENTRY AREA



FRONT VIEW



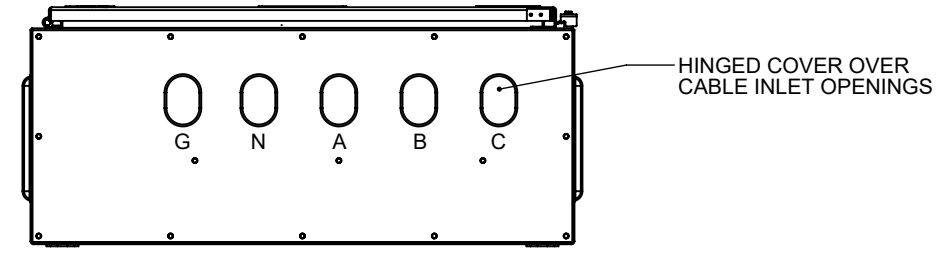
FRONT VIEW (DOOR AND DEADFRONT NOT SHOWN)



FRONT VIEW (DOOR REMOVED)

SIDE VIEW

MALE INLET SINGLE STAB CAMS 400A, 600V RATED CONNECTORS COLOR CODED



BOTTOM VIEW



1 OF 1

**ESL** POWER SYSTEMS

**UL** 4NM1 C US LISTED

800A 50/60Hz 3 $\phi$  + N + G

TRANSFER SWITCH ACCESSORY

CAM-STYLE INLET BOX

MFG. DATE: \_\_\_\_\_

ITEM # 3680-SERIES

SERIAL # \_\_\_\_\_

TYPE: 3R

SHORT CIRCUIT CURRENT RATING: 42,000 RMS SYMMETRICAL AMPS

RESISTER NOMINAL DE COURT-CIRCUIT: 42,000 RMS SYMETRIQUES AMPERES

Corona, CA <-> (800)922-4188 <-> (951)739-7000 <-> info@eslpwr.com

WEIGHT: 190 Lbs.

MATERIAL:	STEEL
THICKNESS:	12 GAUGE
COLOR/FINISH:	WRINKLE GRAY (RAL 7035)
REFERENCE:	1190-15D

**ESL** POWER SYSTEMS, INC.  
 CORONA, CALIFORNIA  
 (951) 739-7000 (800) 922-4188  
 eslpwr.com - info@eslpwr.com

800A  
 SINGLE STAB CAM INLET BOX  
 3-PHASES + N + G  
 AND COOLING FANS

PART NUMBER  
 3680-SERIES

SHEET  
 1 OF 1

MODEL: 3680-SERIES

REV.	BY	DATE	DESCRIPTION
0	CP	1/16/24	FOR REFERENCE