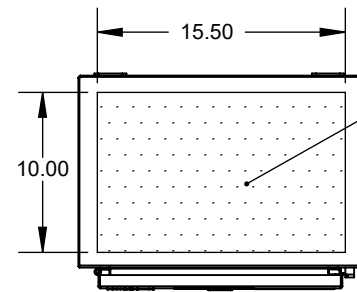


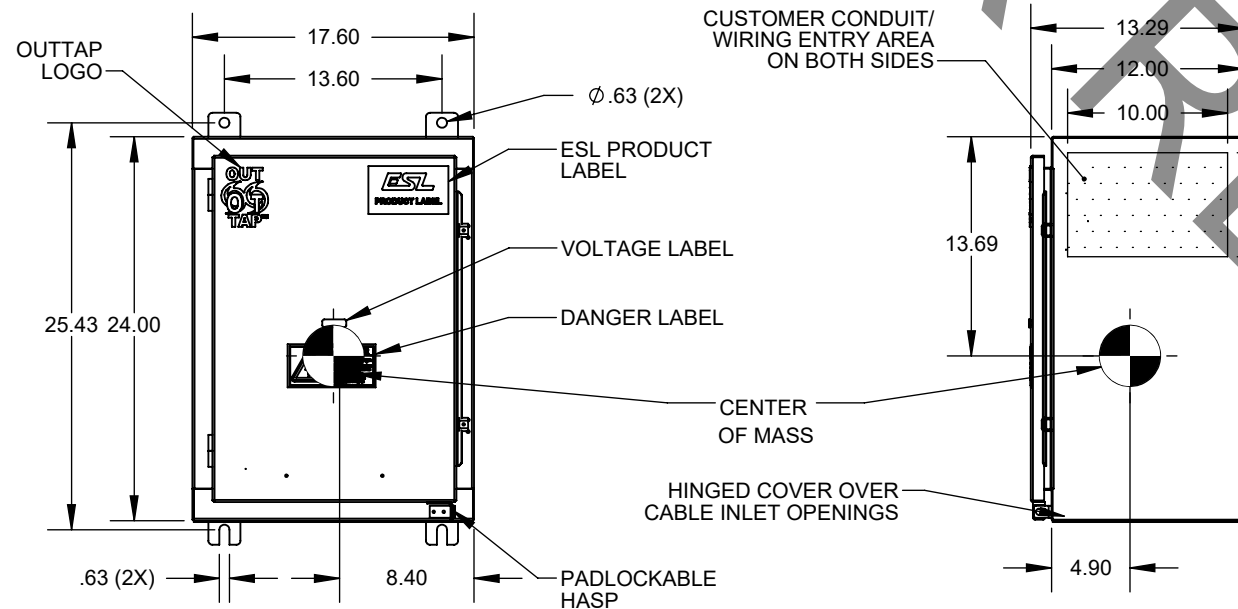
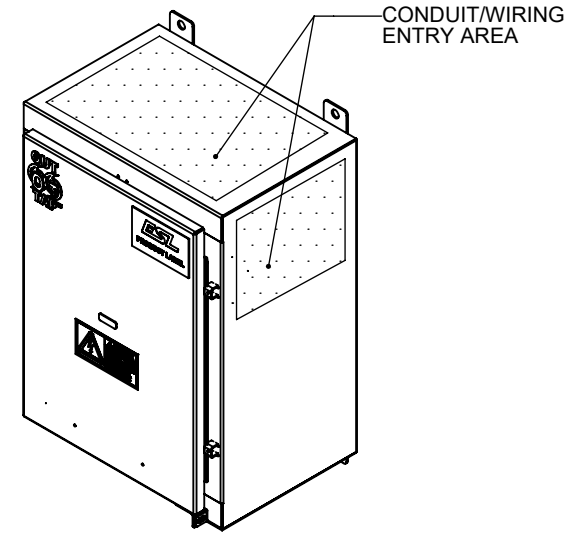
THIS DOCUMENT AND THE DATA DISCLOSED HEREIN OR WHEREWITH IS NOT TO BE REPRODUCED, USED OR DISCLOSED IN WHOLE OR IN PART TO ANYONE WITHOUT THE PERMISSION OF ESL.

NOTES:

1. FINISH: POWDER COAT SERIES W49
2. TYPE 3R CONSTRUCTION
3. NOT FOR INDOOR USE
4. OPTIONAL PLUG KITS AVAILABLE
5. FOAM SEAL INSIDE OF ALL CONDUIT ENTRIES

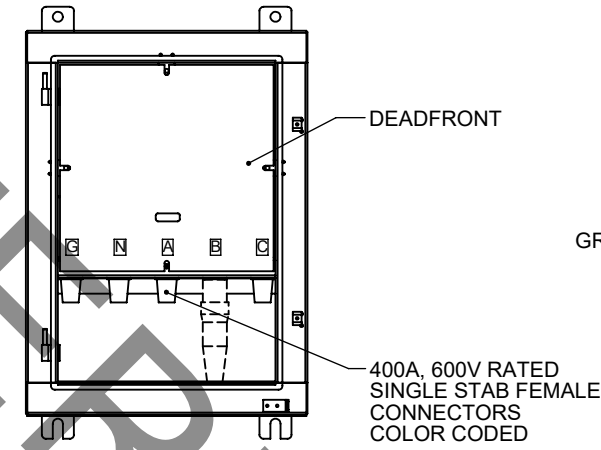


TOP VIEW

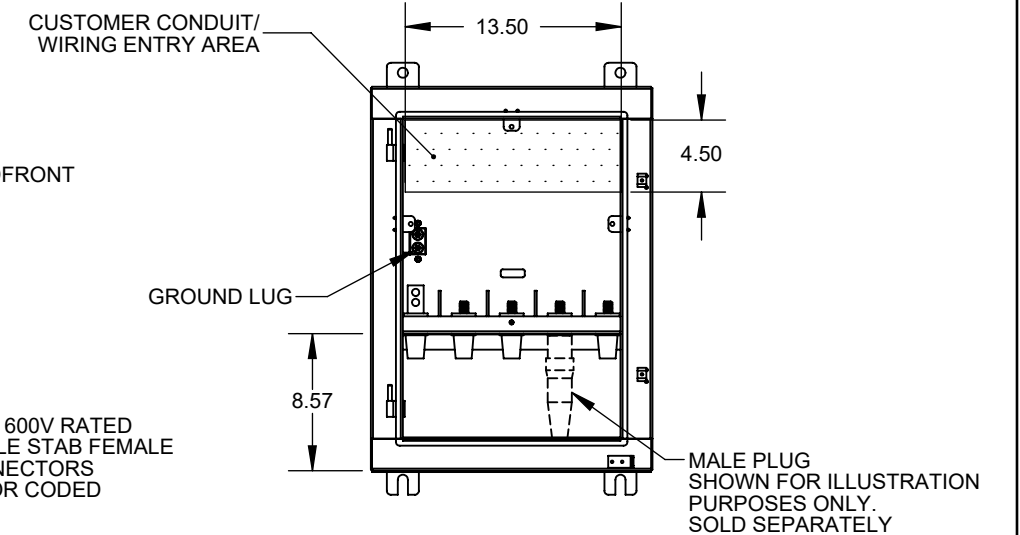


FRONT VIEW

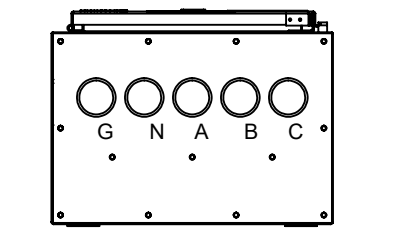
SIDE VIEW



FRONT VIEW (DOOR NOT SHOWN)



FRONT VIEW (DOOR & DEADFRONT NOT SHOWN)



BOTTOM VIEW (WIRE ACCESS DOOR SHOWN OPEN)



ESL POWER SYSTEMS 1 OF 1

UL 4PC5
C US LISTED

400A 50/60Hz 3 ϕ + N + G
SPECIALTY SWITCHBOARD
CAM-STYLE OUTLET BOX

ESL CAT.# 3840-SERIES SERIAL # _____ MFG. DATE: _____
TYPE: 3R

SHORT CIRCUIT WITHSTAND RATING: 22,000 RMS SYMMETRICAL AMPS
RESISTER NOMINAL DE COURT-CIRCUIT: 22,000 RMS SYMETRIQUES AMPERES
Corona, CA 92880 <> (800)922-4188 <> (951)739-7000 <> info@eslpwr.com

MATERIAL:	GALV. STEEL
THICKNESS:	14 GAUGE
COLOR:	WRINKLE GRAY (RAL 7035)
REFERENCE:	1190-12

ESL POWER SYSTEMS, INC.
CORONA, CALIFORNIA
(951) 739-7000 (800) 922-4188
eslpwr.com - info@eslpwr.com

EST. WEIGHT: 56 Lbs.

400A SINGLE STAB CAM OUTLET BOX 3-PHASES + N + G

DRAWING NUMBER: 3840-SERIES SHEET 1 OF 1

MODEL: 3840-22

0	MAQ	9/21/2021	FOR REFERENCE
REV.	BY	DATE	DESCRIPTION