

8

7

6

5

4

3

2

1

D

C

B

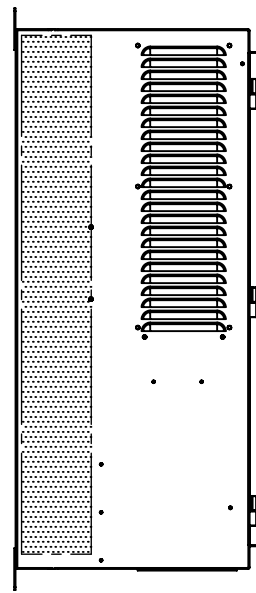
A

D

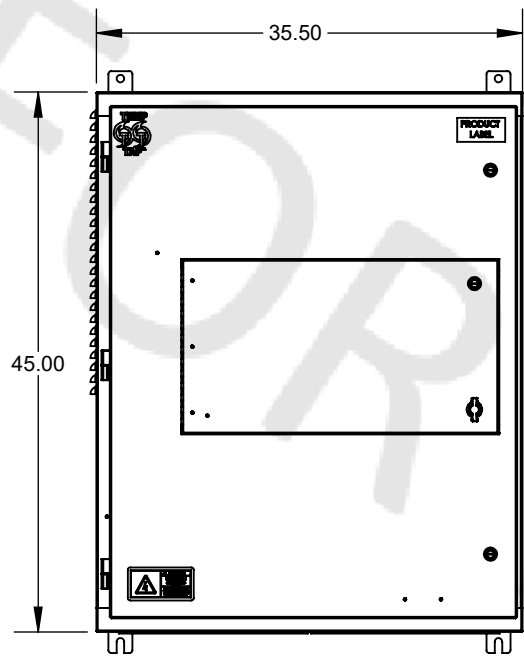
C

B

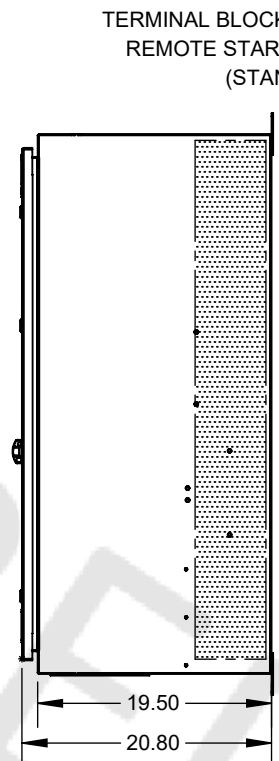
A



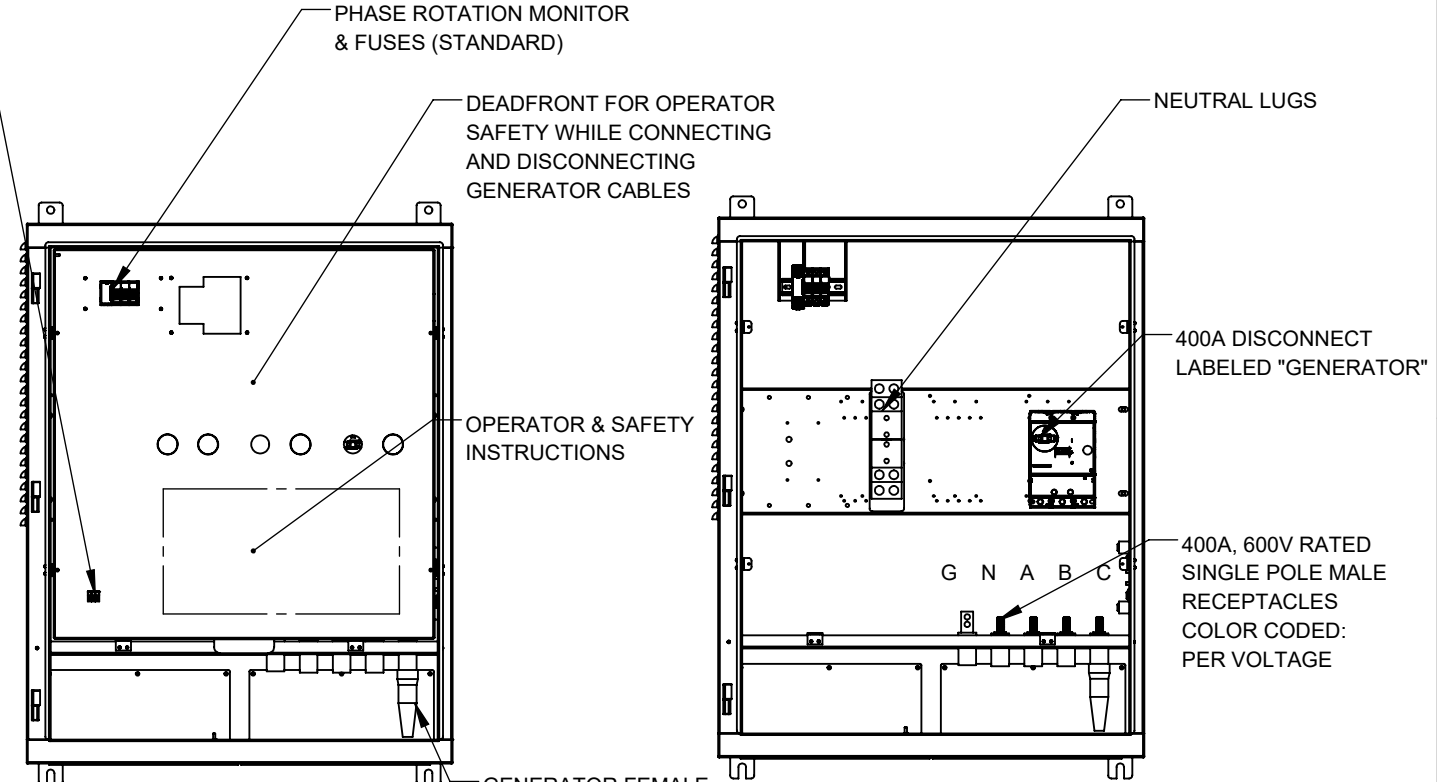
LEFT VIEW



FRONT VIEW

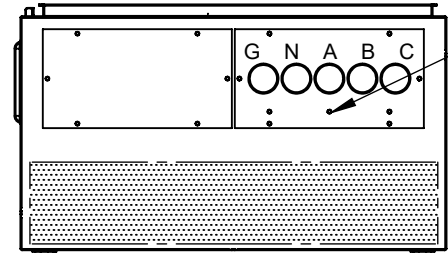


RIGHT VIEW



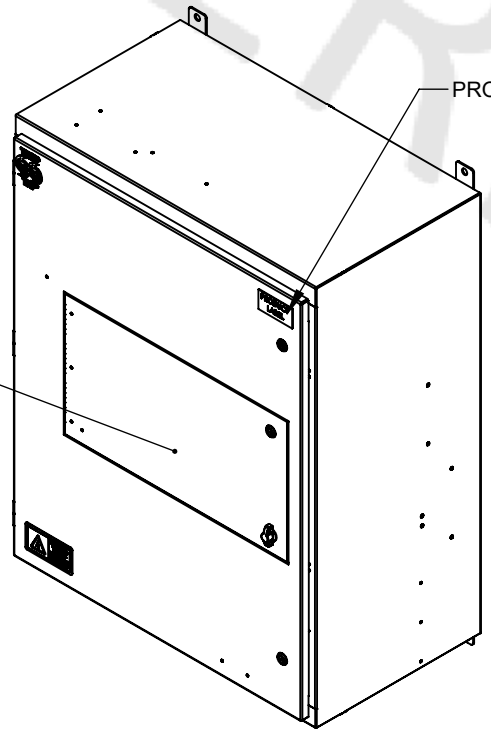
FRONT VIEW (DOORS REMOVED)

FRONT VIEW (DOORS & DEADFRONT REMOVED)



BOTTOM VIEW

HINGED INTERNAL PROTECTIVE COVER FOR WIRE OPENING



ISOMETRIC VIEW

PADLOCKABLE HANDLE COVER

PRODUCT LABEL



TABLE OF KAIC RATINGS

DISCONNECTS SWITCH	SHORT CIRCUIT RATING
	10 KA
CIRCUIT BREAKER	65KAIC@208VAC
	35KAIC@480VAC
	18KAIC@600VAC

NOTES:

- STANDARD UNIT IS NON-SWITCHED NEUTRAL. FOR SWITCHED NEUTRAL PLEASE CONSULT FACTORY.
- FINISH POWDER COATED SERIES W49. SEE TITLE BLOCK FOR COLOR.
- TYPE 3R CONSTRUCTION
- NOT FOR INDOOR USE
- OPTIONAL PLUG KITS AVAILABLE
- CONDUIT ENTRY AREA SHOWN SHADED
- FOR AVAILABLE ACCESSORIES & OPTIONS SEE SPEC SHEET
- FOR SINGLE LINE VISIT WWW.ESLPWR.COM

REV.	BY	DATE	DESCRIPTION
0	AD	4/21/2023	FOR REFERENCE
CREATED BY: AD SCHEMATIC #: 0901-#### THICKNESS: 14GA MATERIAL: FINISH: WRINKLE GRAY (RAL7035) REFERENCE:			UNLESS OTHERWISE SPECIFIED: DIMENSIONS ARE IN INCHES TOLERANCES: DECIMALS .x ±.03 .XX ±.01 .XXX ±.005 ANGULAR ±1/2° BREAK ALL SHARP EDGES .005 - .010 DO NOT SCALE PROPRIETARY THIS DOCUMENT AND THE DATA DISCLOSED HEREIN OR WHEREWITH IS NOT TO BE REPRODUCED, USED OR DISCLOSED IN WHOLE OR IN PART TO ANYONE WITHOUT THE PERMISSION OF ESL.
DWG NO. 4640-SERIES-A WEIGHT: 400 lbs.			CORONA, CALIFORNIA International: +1 (951) 739-7000 Phone: (800) 922-4188 eslpwr.com info@eslpwr.com REV. 0 SHEET 1 of 1

8

7

6

5

4

3

2

1