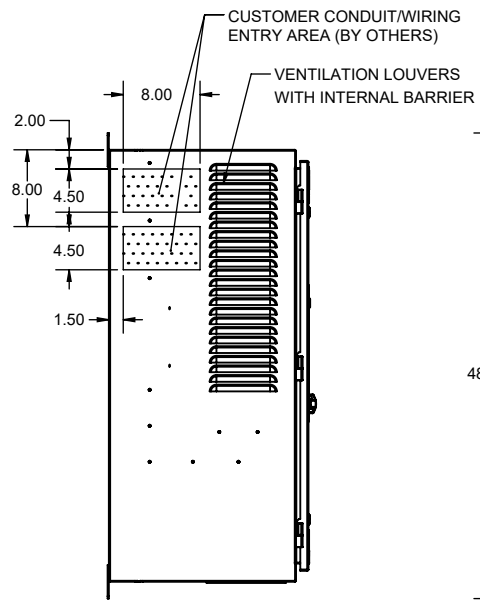
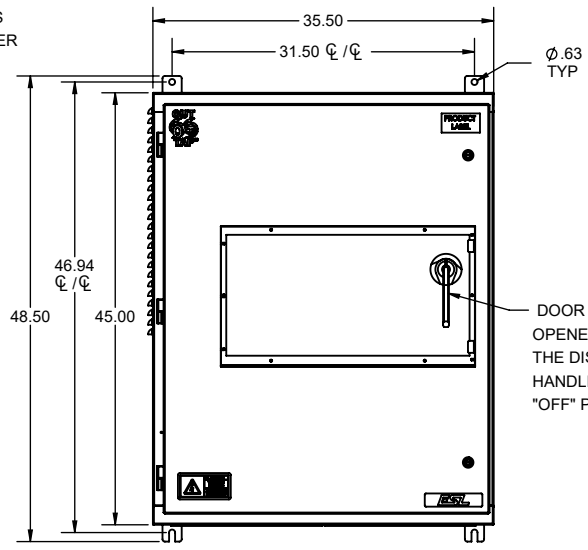


- NOTES:**
- STANDARD UNIT IS NON-SWITCHED NEUTRAL. FOR SWITCHED NEUTRAL PLEASE CONSULT FACTORY.
 - FINISH POWDER COATED SERIES W49. SEE TITLE BLOCK FOR COLOR.
 - TYPE -- CONSTRUCTION.
 - OPTIONAL PLUG KITS AVAILABLE.
 - CONDUIT ENTRY AREA SHOWN SHADED.
 - FOR AVAILABLE ACCESSORIES AND OPTIONS SEE SPEC SHEET.
 - FOR SINGLE LINE VISIT WWW.ESLPWR.COM

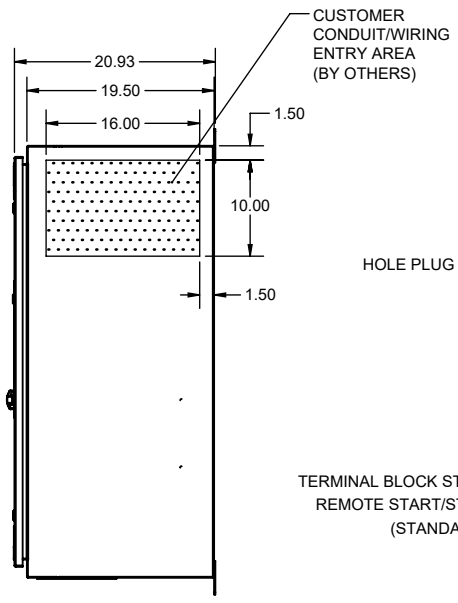
REV.	BY	DATE	DESCRIPTION
0	BR	6/14/2024	FOR REFERENCE



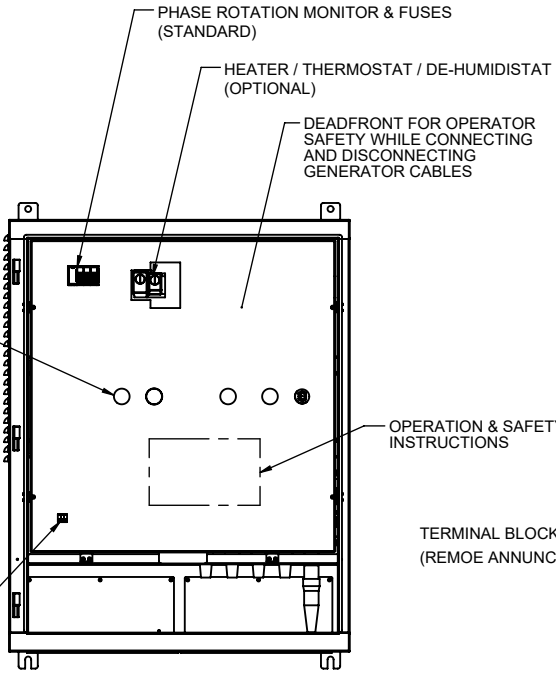
LEFT VIEW



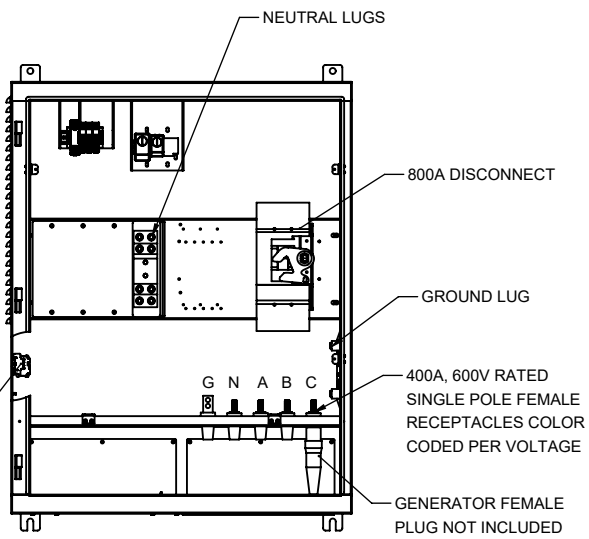
**FRONT VIEW
(HANDLE COVER NOT SHOWN)**



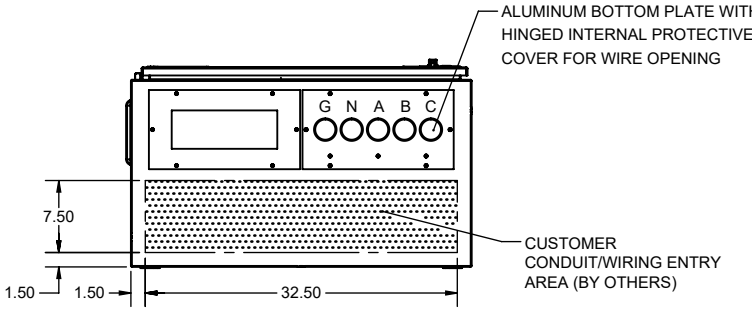
RIGHT VIEW



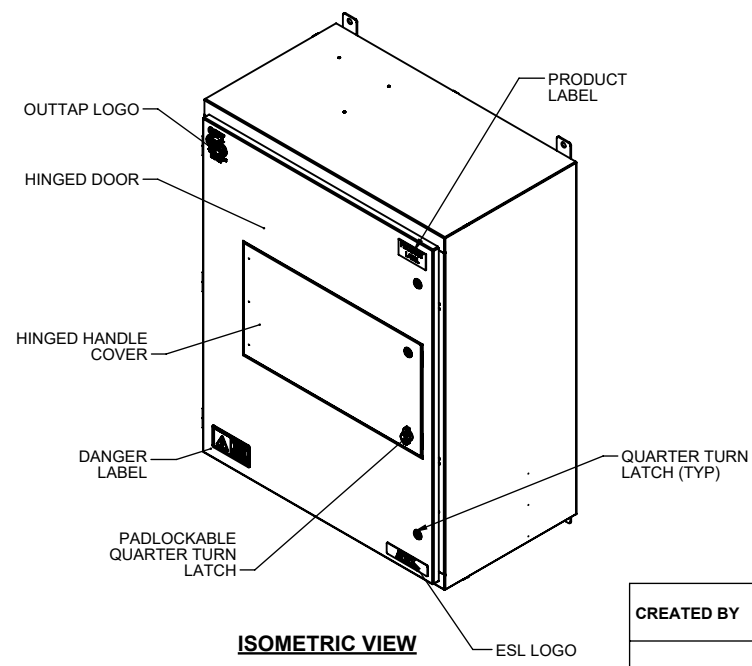
**FRONT VIEW
(DOOR REMOVED)**



**FRONT VIEW
(DOOR AND DEADFRONT REMOVED)**



BOTTOM VIEW



ISOMETRIC VIEW



TABLE OF KAIC RATINGS	
DISCONNECT:	BREAKER
ASSEMBLY RATING:	50KAIC@240VAC
	35KAIC@480VAC
	18KAIC@600VAC

CREATED BY: BR	UNLESS OTHERWISE SPECIFIED: DIMENSIONS ARE IN INCHES TOLERANCES:	ESL CORONA, CALIFORNIA International: +1 (951) 739-7000 Phone: (800) 922-4188 eslpwr.com info@eslpwr.com
SCHEMATIC #: 0901-XXXX	DECIMALS: .x ±.03 .XX ±.01 .XXX ±.005 ANGULAR: ±1/2°	
THICKNESS: 14 GAUGE	BREAK ALL SHARP EDGES .005 - .010	OUTTAP CAM-STYLE OUTLET BOX ENCLOSURE RATED 800A
MATERIAL: OPTIONAL	DO NOT SCALE	
FINISH: OPTIONAL	PROPRIETARY	DWG NO. 4880 SERIES-A
REFERENCE: --	THIS DOCUMENT AND THE DATA DISCLOSED HEREIN OR WHEREWITH IS NOT TO BE REPRODUCED, USED OR DISCLOSED IN WHOLE OR IN PART TO ANYONE WITHOUT THE PERMISSION OF ESL.	REV. 0
		WEIGHT: 329 lbs.
		SHEET 1 of 1

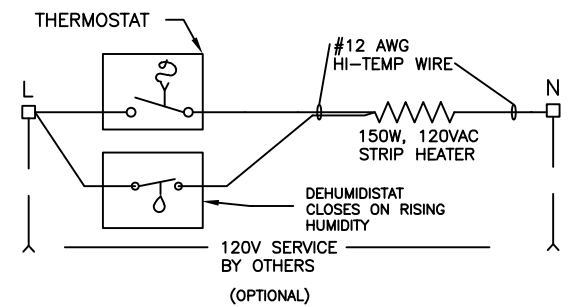
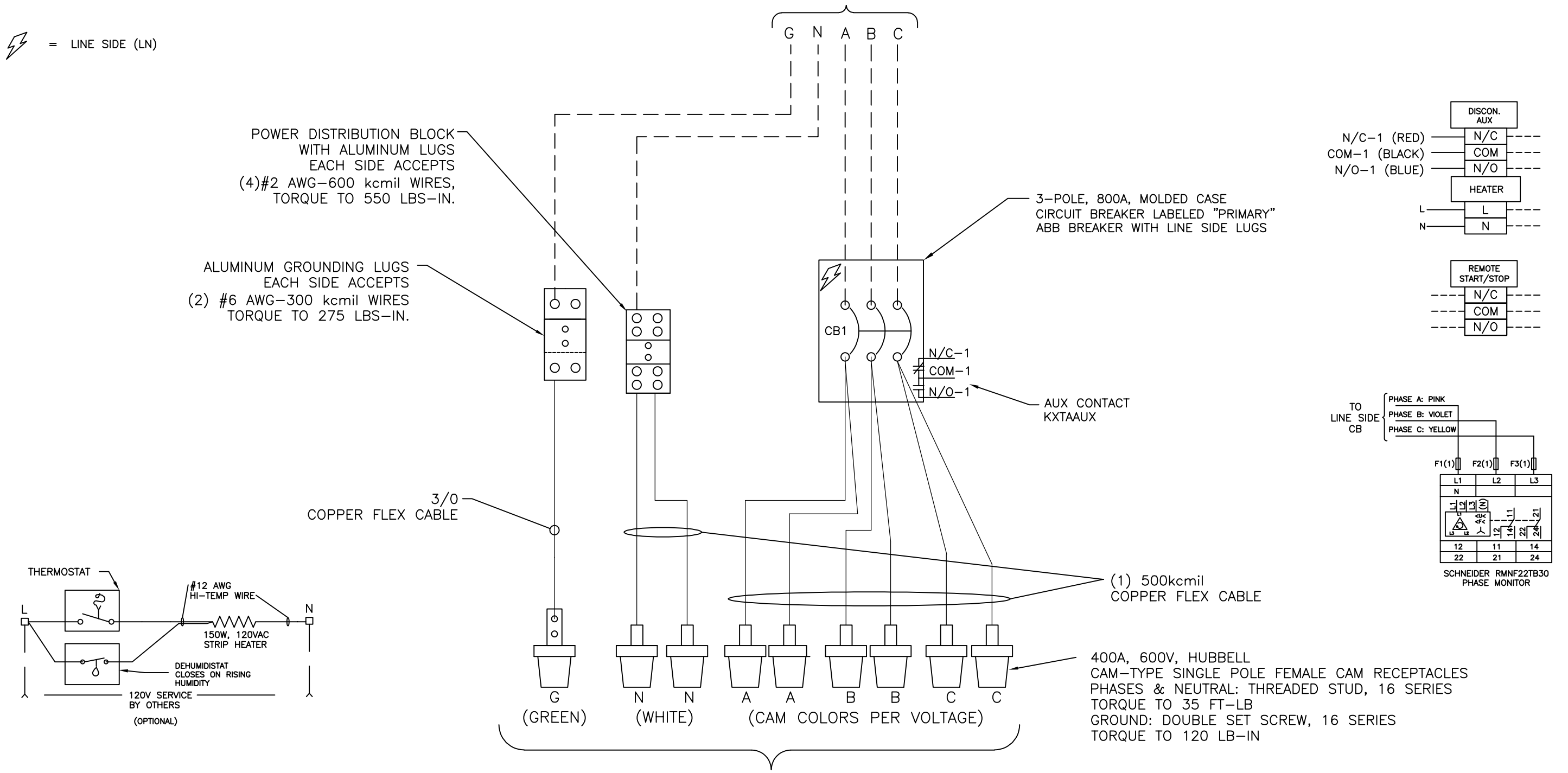
THIS DOCUMENT AND THE DATA DISCLOSED HEREIN OR HEREWITH IS NOT TO BE REPRODUCED, USED OR DISCLOSED IN WHOLE OR IN PART TO ANYONE WITHOUT THE WRITTEN PERMISSION OF ESL

NOTES:

1. DASHED LINES REPRESENT FIELD WIRING.
SOLID LINES REPRESENT FACTORY WIRING.
2. CONTROL WIRING IS #14AWG UNLESS OTHERWISE NOTED

= LINE SIDE (LN)

FIELD WIRING
USE 60/75°C RATED
ALUMINUM OR COPPER WIRE



400A SINGLE POLE CAM STYLE MATING PLUG (SOLD SEPARATELY)

- HUBBELL, 16 SERIES,
- PASS & SEYMOUR SERIES 16, IN LINE
- LEVITON 16 SERIES, TAPER NOSE
- 100% COMPATIBLE EQUIVALENT

				UNLESS OTHERWISE SPECIFIED: DIMENSIONS ARE IN INCHES TOLERANCES:		QTY =		ENGINEER		ESL POWER SYSTEMS, INC. CORONA, CALIFORNIA (951) 739-7000 (800) 922-4188 eslpwr.com - info@eslpwr.com		800A, OUTTAP CAM-STYLE OUTLET BOX WIRING SCHEMATIC	
				DECIMALS .X ±.03 .XX ±.01 .XXX ±.005		ANGULAR ±1/2°		CHECKED					
0 6/10/24 BR FOR REFERENCE				BREAK ALL SHARP EDGES .005 - .010		MATERIAL:		APPROVAL		PART NUMBER 0901-4880 SERIES-A		SHEET 1 OF 1	
REV DATE BY DESCRIPTION				DIMENSIONS TO BE HELD AFTER PLATING AND HEAT TREATING		FINISH:		DATE					
THIS DOCUMENT AND THE DATA DISCLOSED HEREIN OR HEREWITH IS NOT TO BE REPRODUCED, USED OR DISCLOSED IN WHOLE OR IN PART TO ANYONE WITHOUT THE WRITTEN PERMISSION OF ESL												DO NOT SCALE DRAWING	