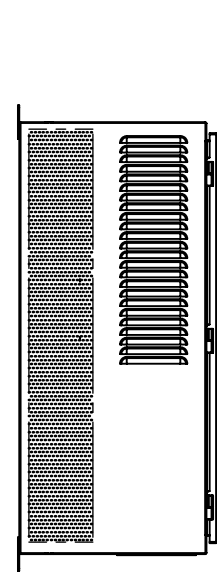


D

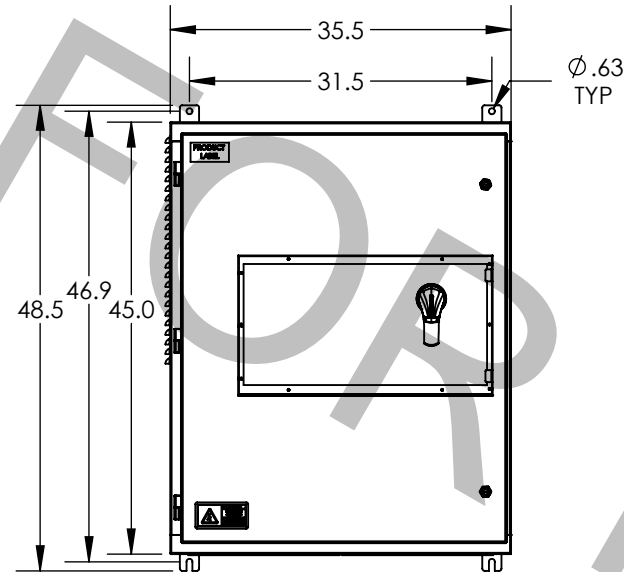
C

B

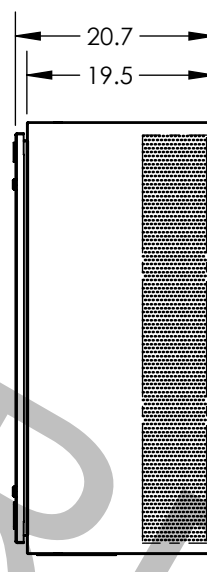
A



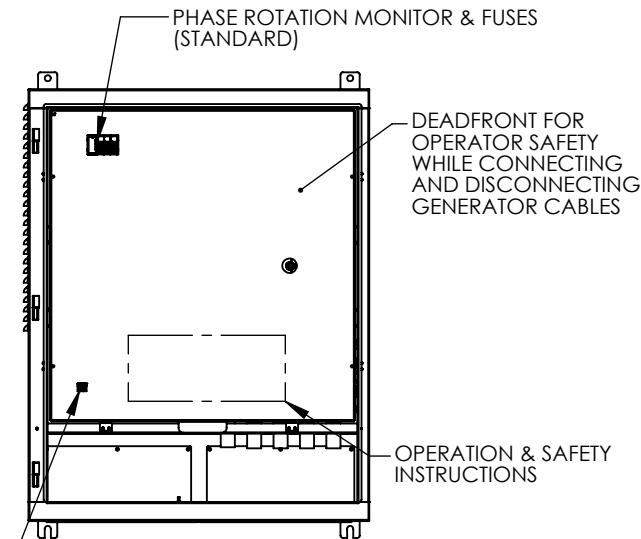
SIDE VIEW



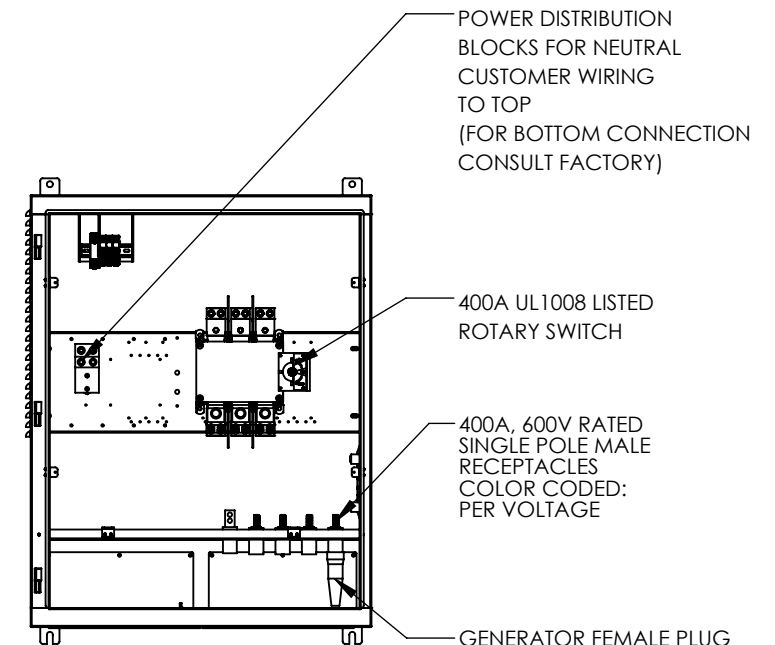
FRONT VIEW (HANDLE COVER NOT SHOWN)



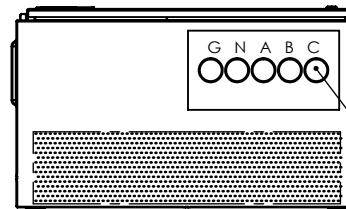
SIDE VIEW



FRONT VIEW (DOOR REMOVED)

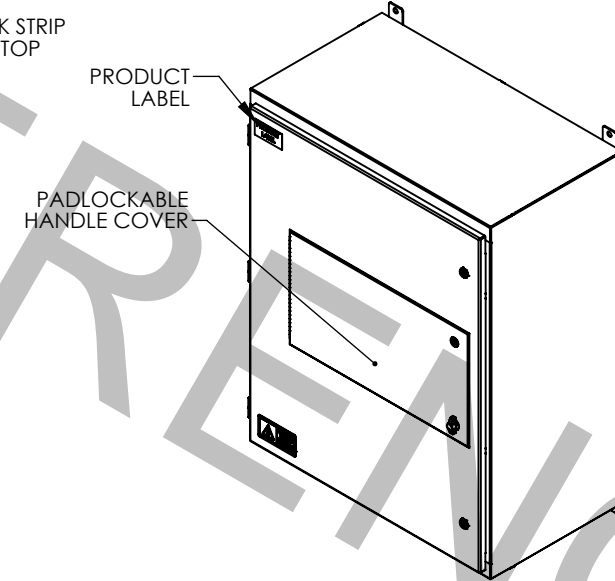


FRONT VIEW (DOOR AND DEADFRONT REMOVED)



BOTTOM VIEW

HINGED INTERNAL PROTECTIVE COVER FOR WIRE OPENING




PRODUCT LABEL
PADLOCKABLE HANDLE COVER



ASSEMBLY NOTES

- COMPLETE ASSEMBLY IS UL LISTED AS A MANUAL TRANSFER SWITCH UNDER UL 1008 (TRANSFER SWITCH STANDARD)
- FINISH POWDER COATED SERIES W49. SEE TITLE BLOCK FOR COLOR.
- STANDARD UNIT IS NON-SWITCHED NEUTRAL. FOR SWITCHED NEUTRAL PLEASE CONSULT FACTORY.
- NOT FOR INDOOR USE
- TYPE 3R CONSTRUCTION
- OPTIONAL PLUG KITS AVAILABLE
- CONDUIT ENTRY AREA SHOWN SHADED
- FOR AVAILABLE ACCESSORIES & OPTIONS SEE SPEC SHEET**
- FOR SINGLE LINE VISIT WWW.ESLPWR.COM**

0	CP	2/10/23	FOR REFERENCE	
REV.	BY	DATE	DESCRIPTION	
MODEL ID:	8304-SERIES		UNLESS OTHERWISE SPECIFIED: DIMENSIONS ARE IN INCHES TOLERANCES: DECIMALS .x ±.03 .XX ±.01 .XXX ±.005 ANGULAR ±1/2°	 CORONA, CALIFORNIA International: (951) 739-7000 Phone: (800) 922-4188 eslpwr.com info@eslpwr.com
SCHEMATIC				
THICKNESS	12GA		BREAK ALL SHARP EDGES .005 - .010 DO NOT SCALE	ESL ROTARYCONNECT ENCLOSURE RATED 400A
MATERIAL	STEEL			
FINISH	WRINKLE GRAY (RAL 7035)		PROPRIETARY THIS DOCUMENT AND THE DATA DISCLOSED HEREIN OR WHEREWITH IS NOT TO BE REPRODUCED, USED OR DISCLOSED IN WHOLE OR IN PART TO ANYONE WITHOUT THE PERMISSION OF ESL.	DWG NO. 8304-SERIES
REFERENCE				EST. WEIGHT: 380 lbs.