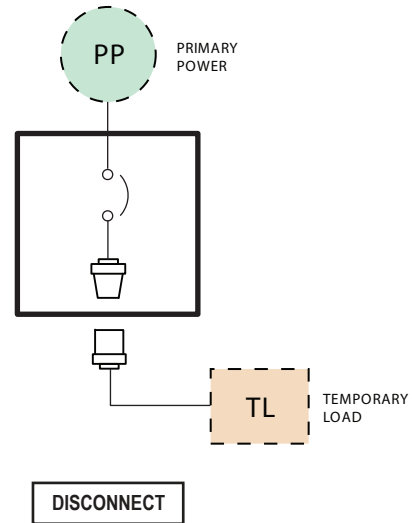
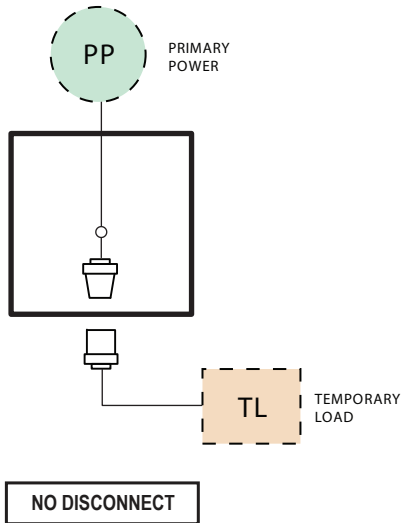


OUTLET BOX

SINGLE LINE DIAGRAMS

OutTap™

UL Listed 400A – 3200A



Additional amperages and configurations available.

Contact Factory: sales@eslpwr.com | (951) 739-7000 | 2800 Palisades Dr., Corona, CA 92878