

8

7

6

5

4

3

2

1

D

C

B

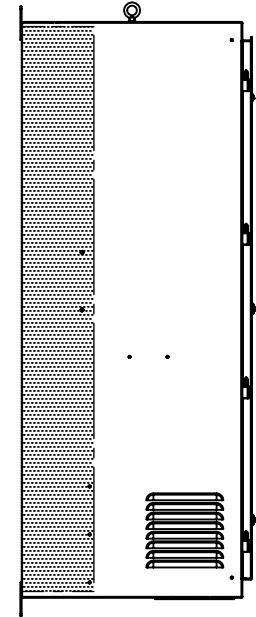
A

D

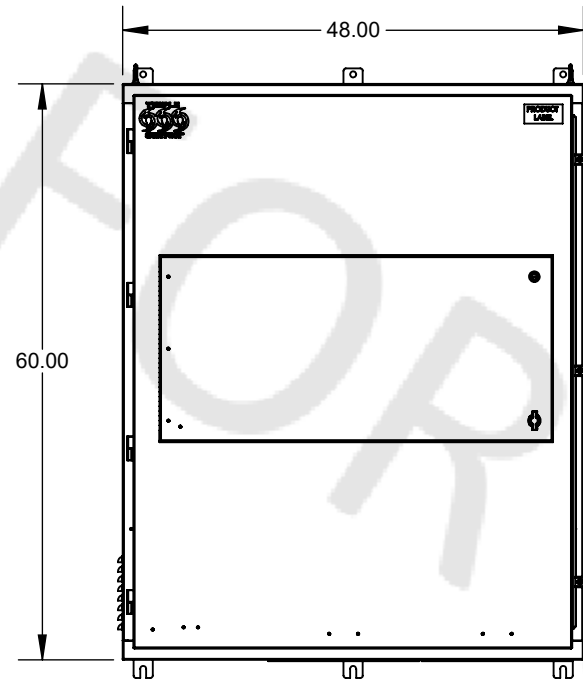
C

B

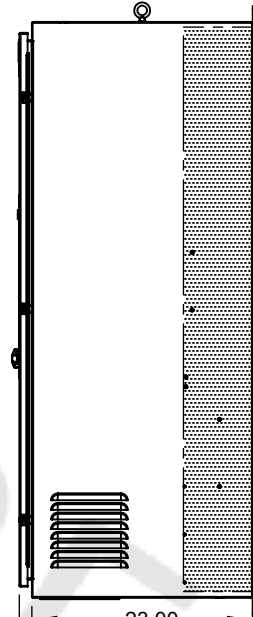
A



LEFT VIEW



FRONT VIEW



RIGHT VIEW

TERMINAL BLOCK STRIP
REMOTE START/STOP
(STANDARD)

PHASE ROTATION MONITOR
& FUSES (STANDARD)

DEADFRONT FOR OPERATOR
SAFETY WHILE CONNECTING
AND DISCONNECTING
GENERATOR CABLES

OPERATOR & SAFETY
INSTRUCTIONS

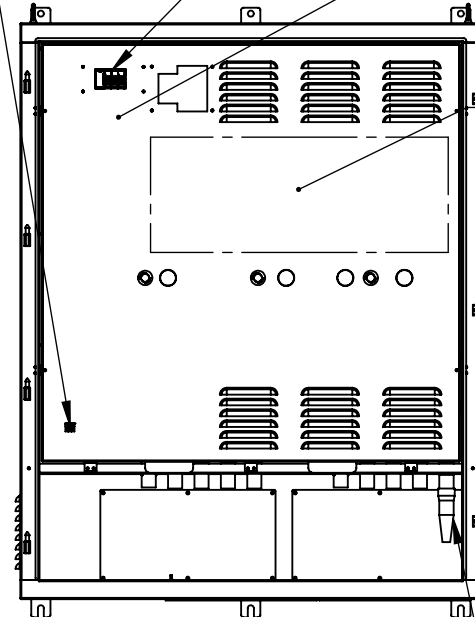
NEUTRAL
LUG

DISCONNECT 1
800A

DISCONNECT 2
800A

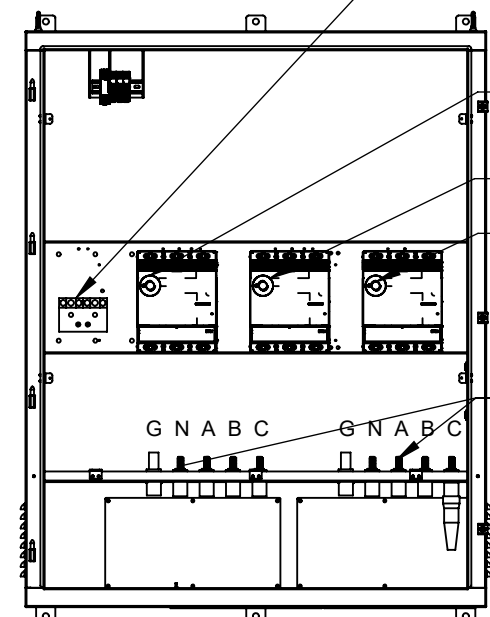
DISCONNECT 3
800A

400A, 600V RATED
SINGLE POLE MALE
RECEPTACLES
COLOR CODED:
PER VOLTAGE

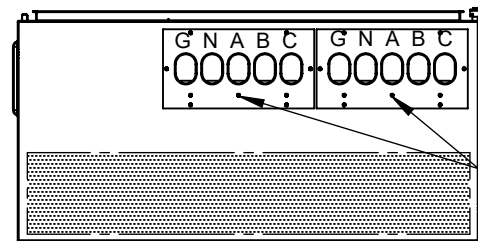


FRONT VIEW
(DOORS REMOVED)

GENERATOR FEMALE
PLUG NOT INCLUDED
(SHOWN FOR SCALE
PURPOSES ONLY)



FRONT VIEW
(DOORS & DEADFRONT REMOVED)

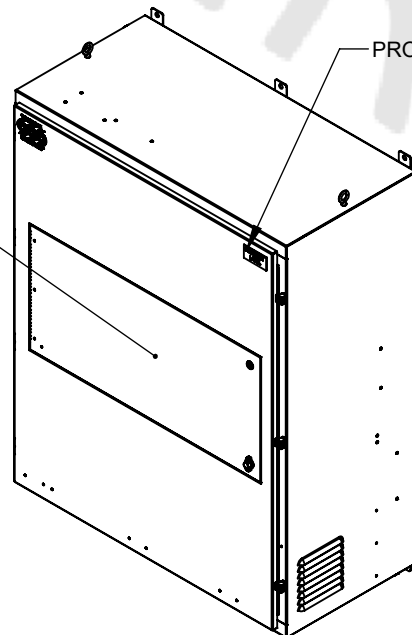


BOTTOM VIEW

HINGED INTERNAL
PROTECTIVE COVER
FOR WIRE OPENING

PADLOCKABLE
HANDLE COVER

PRODUCT LABEL



ISOMETRIC VIEW

TABLE OF KAIC RATINGS

DISCONNECTS SWITCH	SHORT CIRCUIT RATING
	10 KA
CIRCUIT BREAKER	65KAIC@208VAC
	35KAIC@480VAC
	18KAIC@600VAC

NOTES:

- COMPLETE ASSEMBLY IS UL LISTED AS A MANUAL TRANSFER SWITCH UNDER UL 1008 (TRANSFER SWITCH STANDARD)
- STANDARD UNIT IS NON-SWITCHED NEUTRAL. FOR SWITCHED NEUTRAL PLEASE CONSULT FACTORY.
- FINISH POWDER COATED SERIES W49. SEE TITLE BLOCK FOR COLOR.
- TYPE 3R CONSTRUCTION
- NOT FOR INDOOR USE
- OPTIONAL PLUG KITS AVAILABLE
- CONDUIT ENTRY AREA SHOWN SHADED
- FOR AVAILABLE ACCESSORIES & OPTIONS SEE SPEC SHEET
- FOR SINGLE LINE VISIT WWW.ESLPWR.COM



REV.	BY	DATE	DESCRIPTION
0	AD	3/29/2023	FOR REFERENCE
CREATED BY: AD SCHEMATIC #: 0901-#### THICKNESS: 14GA MATERIAL: FINISH: WRINKLE GRAY (RAL7035) REFERENCE:			UNLESS OTHERWISE SPECIFIED: DIMENSIONS ARE IN INCHES TOLERANCES: DECIMALS .x ±.03 .XX ±.01 .XXX ±.005 ANGULAR ±1/2° BREAK ALL SHARP EDGES .005 - .010 DO NOT SCALE PROPRIETARY THIS DOCUMENT AND THE DATA DISCLOSED HEREIN OR WHEREWITH IS NOT TO BE REPRODUCED, USED OR DISCLOSED IN WHOLE OR IN PART TO ANYONE WITHOUT THE PERMISSION OF ESL.
DWG NO. 3181-SERIES-A WEIGHT: 784 lbs.			CORONA, CALIFORNIA International: +1 (951) 739-7000 Phone: (800) 922-4188 eslpwr.com info@eslpwr.com REV. 0 SHEET 1 of 1

8

7

6

5

4

3

2

1