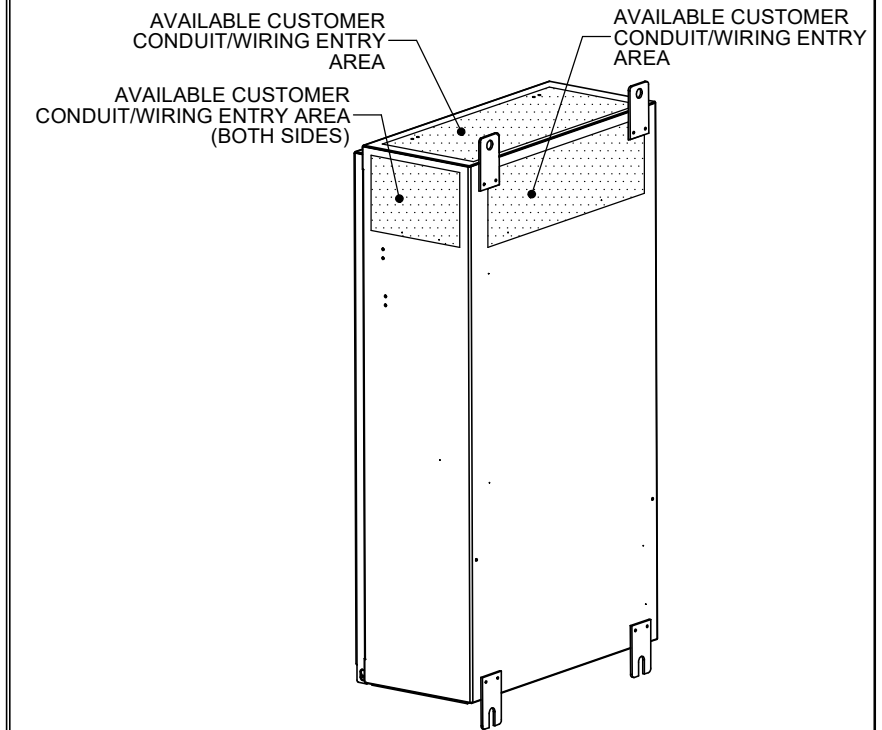
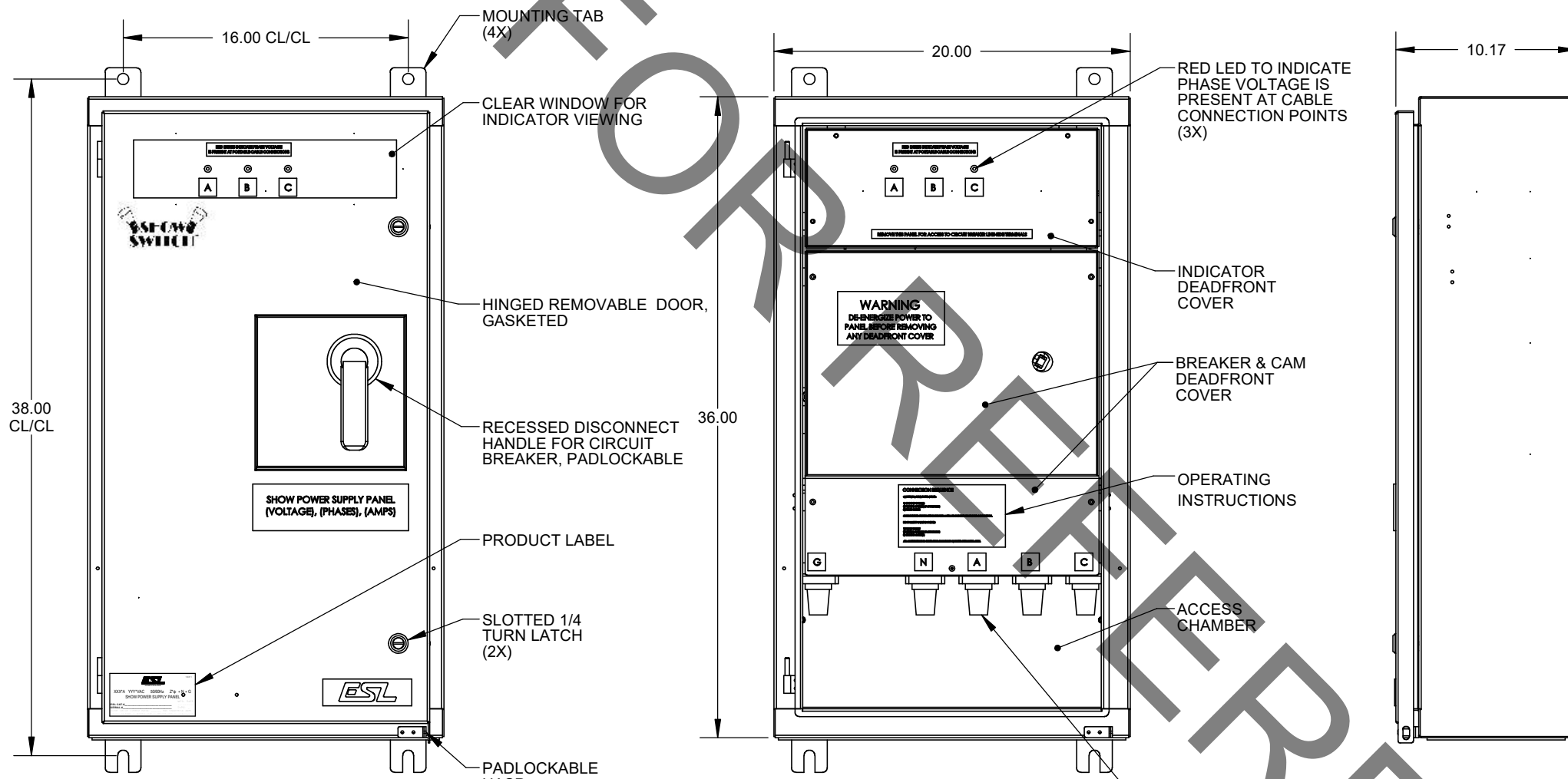


THIS DOCUMENT AND THE DATA DISCLOSED HEREIN OR WHEREWITH IS NOT TO BE REPRODUCED. USED OR DISCLOSED IN WHOLE OR IN PART TO ANYONE WITHOUT THE PERMISSION OF ESL.

**NOTES:**

1. COMPLETE ASSEMBLY IS UL LISTED UL891.
2. FINISH: POWDER COATED SERIES W49.
3. OPTIONAL PLUG KITS AVAILABLE
4. FOAM SEAL INSIDE OF ALL CONDUIT ENTRIES.



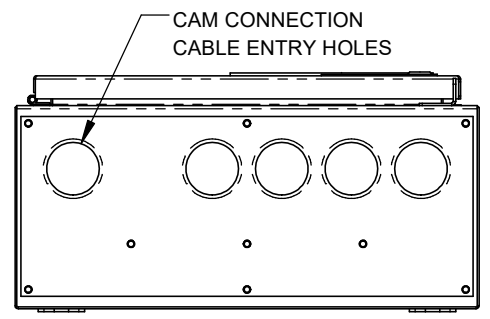
**AVAILABLE CONDUIT ENTRY LOCATIONS**

(INSTALLER SHALL PUNCH CONDUIT ENTRY HOLES AND FURNISH/INSTALL CONDUIT HUBS AS REQUIRED)

**FRONT VIEW**

**FRONT VIEW - DOOR REMOVED**

**SIDE VIEW**



**BOTTOM VIEW**

TABLE OF KAIC RATINGS

VOLTAGE	SHORT CIRCUIT RATING
208/120VAC	65kAIC
480/277VAC	35kAIC

TABLE OF TYPE RATINGS

TYPE	COLOR
TYPE 1	WRINKLE BLACK
TYPE 3R	WRINKLE GRAY

TABLE OF SERIES RATINGS

SERIES	AMPERAGE RANGE
CS13	60A-100A
CS23	101A-200A
CS43	201A-400A

SINGLE-POLE 400A FEMALE CAM LOCK STYLE PANEL MOUNT RECEPTACLE (PH A = BLK, PH B = RED, PH C = BLUE) (GND = GRN, N = WHT, PHA = BLK, PH B= RED, PH C = BLUE) (OTHER OPTIONS AVAILABLE APOON REQUEST)

**ESL** POWER SYSTEMS **UL** 4PC5 LISTED 1 OF 1

**60-400A 50/60Hz 3φ + N + G THEATER SWITCHBOARD**

ESL CAT.# CSX3-SERIES SERIAL # \_\_\_\_\_ TYPE: XXX

SHORT CIRCUIT CURRENT RATING: XX,000 RMS SYMMETRICAL AMPS  
Corona, CA <> (800)922-4188 <> (951)739-7000 <> info@eslpwr.com

MATERIAL: GALV	<b>ESL</b> POWER SYSTEMS, INC. CORONA, CALIFORNIA (951) 739-7000 (800) 922-4188 eslpwr.com - info@eslpwr.com	WEIGHT: 123 Lbs.
THICKNESS: 14 GAUGE		60A-400A SHOWSWITCH
COLOR/FINISH: XXX		PART NUMBER 33X3-SERIES
REFERENCE: 1102-06		SHEET 1 OF 1

MODEL: 33X3-SERIES

0	EH	11/18/21
REV.	BY	DATE

FOR REFERENCE DESCRIPTION