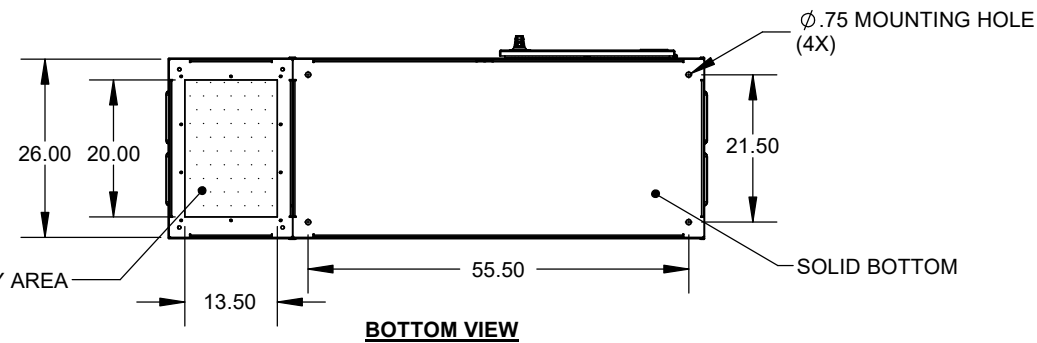
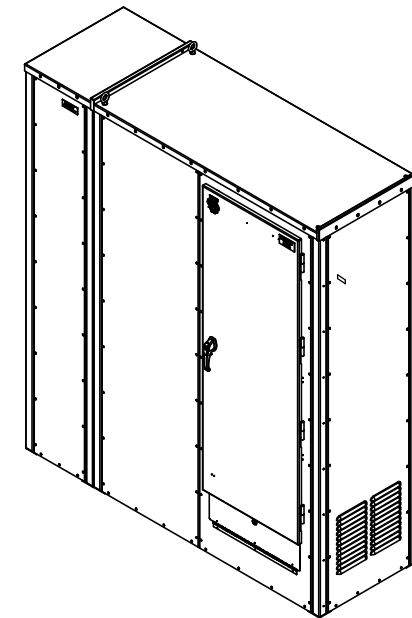
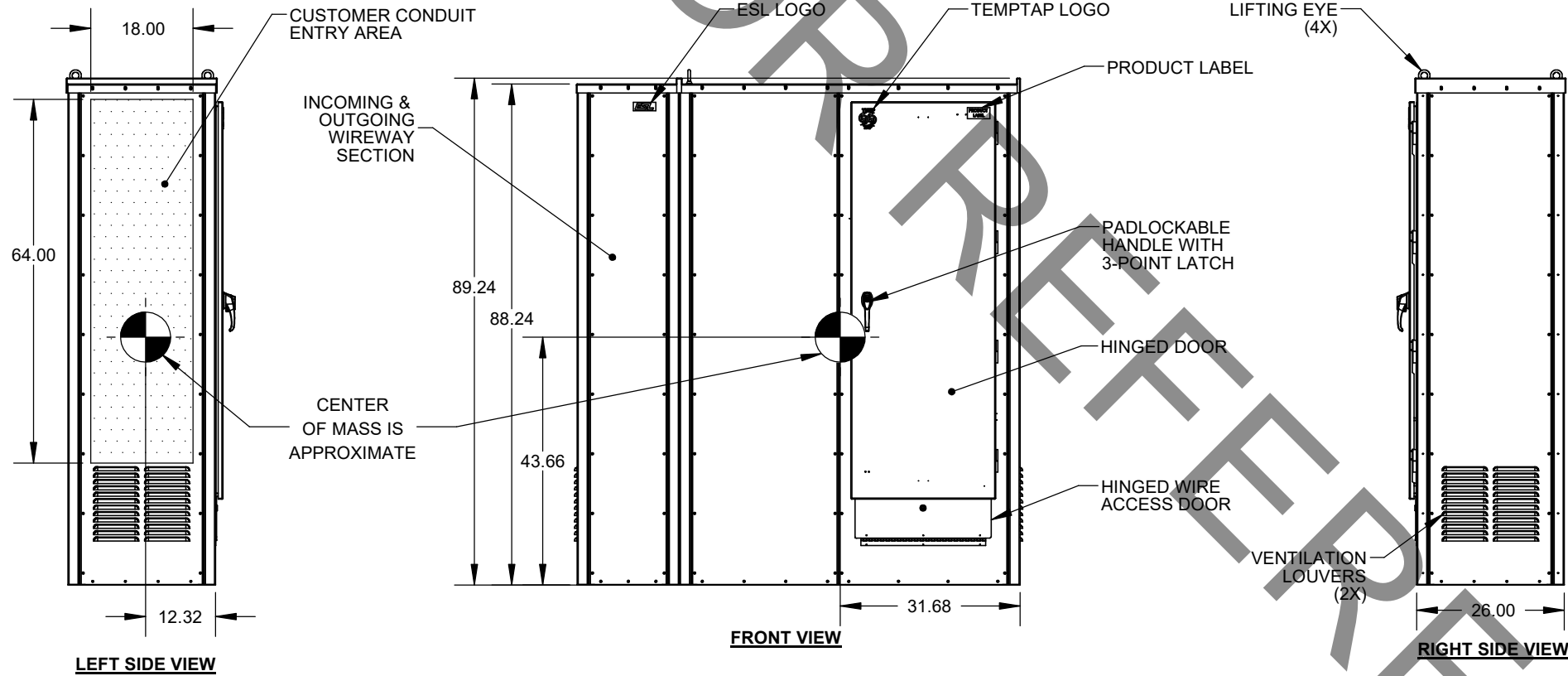
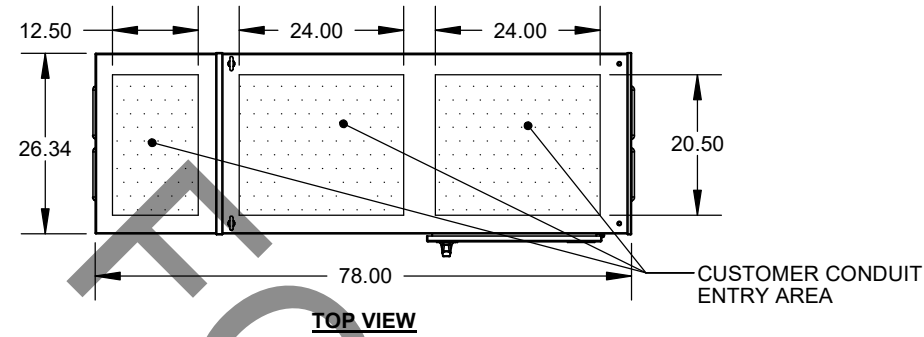


THIS DOCUMENT AND THE DATA DISCLOSED HEREIN OR WHEREWITH IS NOT TO BE REPRODUCED, USED OR DISCLOSED IN WHOLE OR IN PART TO ANYONE WITHOUT THE PERMISSION OF ESL.

**NOTES:**

1. FINISH POWDER COATED SERIES W49. SEE TITLE BLOCK FOR COLOR.
2. STARNDARD UNIT IS NON-SWITCHED NEUTRAL. FOR SWITCHED NEUTRAL PLEASE CONSULT FACTORY.
3. TYPE 3R CONSTRUCTION
4. NOT FOR INDOOR USE



**ESL** POWER SYSTEMS

**UL** 4NM1  
C US LISTED

**2401-3200A 50/60Hz 3φ + N + G  
TRANSFER SWITCH ACCESSORY  
CAM-STYLE INLET BOX**

ITEM # 4632-SERIES  
SERIAL # \_\_\_\_\_

MFG. DATE: \_\_\_\_\_  
TYPE: 3R

Corona, CA <> (800)922-4188 <> (951)739-7000 <> info@eslpwr.com

TABLE OF KAIC RATINGS

DISCONNECT SWITCH	SHORT CIRCUIT RATING
	10kA
CIRCUIT BREAKER	50KAIC@240VAC
	50KAIC@480VAC

MATERIAL:	GALV STEEL
THICKNESS:	12 GAUGE
COLOR/FINISH:	WRINKLE GRAY (RAL 7035)
REFERENCE:	1011-54U-ASSY

**ESL** POWER SYSTEMS, INC.  
CORONA, CALIFORNIA  
(951) 739-7000 (800) 922-4188  
eslpwr.com - info@eslpwr.com

EST. WEIGHT: 1789 Lbs.

2401-3200A  
GENERATOR INLET BOX  
TEMPTAP W/ DISCONNECT  
3 PHASE + N + G

PART NUMBER  
**4632-SERIES**

SHEET  
1 OF 2

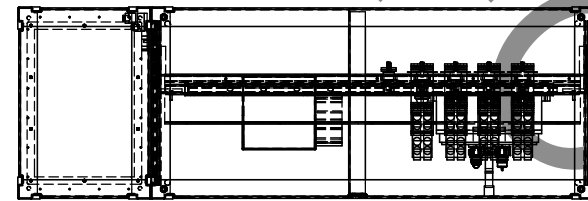
MODEL: 4632-SERIES

0	MAQ	01/25/2022	FOR REFERENCE
REV.	BY	DATE	DESCRIPTION

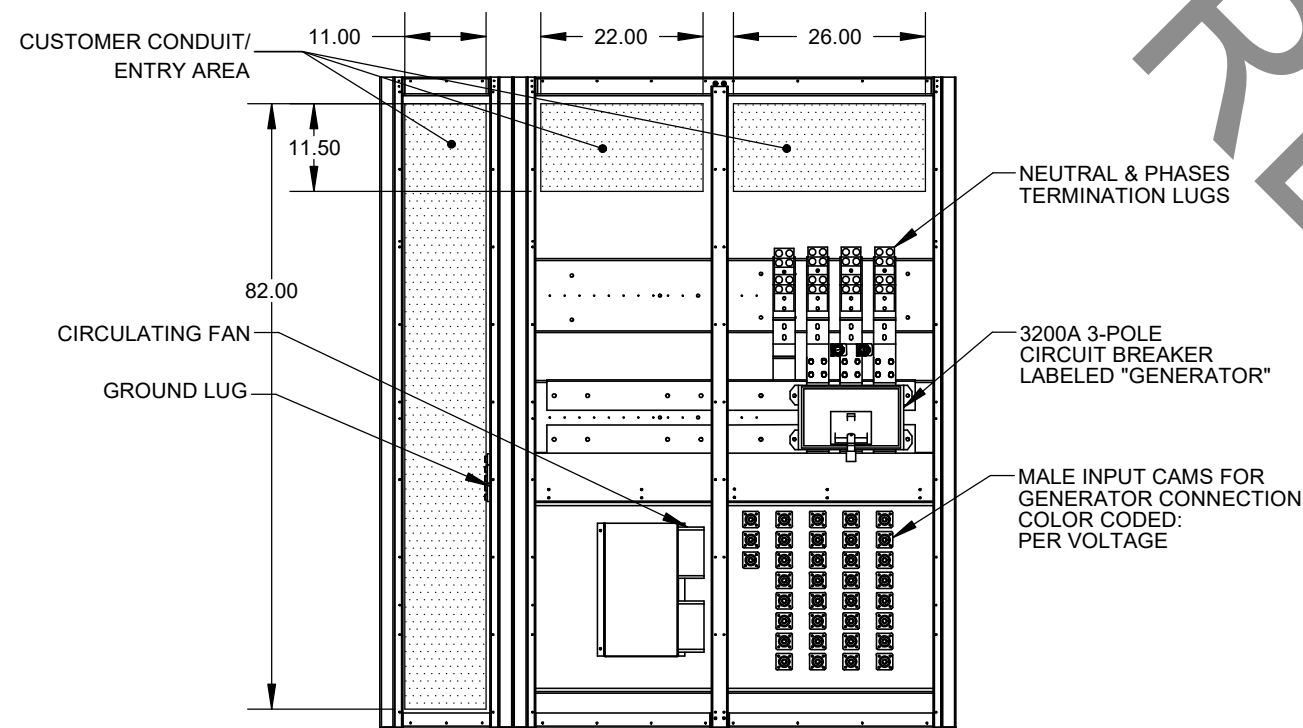
THIS DOCUMENT AND THE DATA DISCLOSED HEREIN OR WHEREWITH IS NOT TO BE REPRODUCED, USED OR DISCLOSED IN WHOLE OR IN PART TO ANYONE WITHOUT THE PERMISSION OF ESL.

**NOTES:**

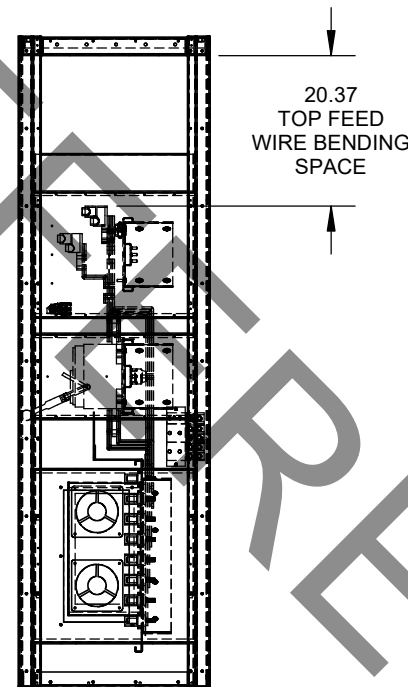
1. CONDUIT HUBS AND MOUNTING HARDWARE TO BE SUPPLIED BY OTHERS.



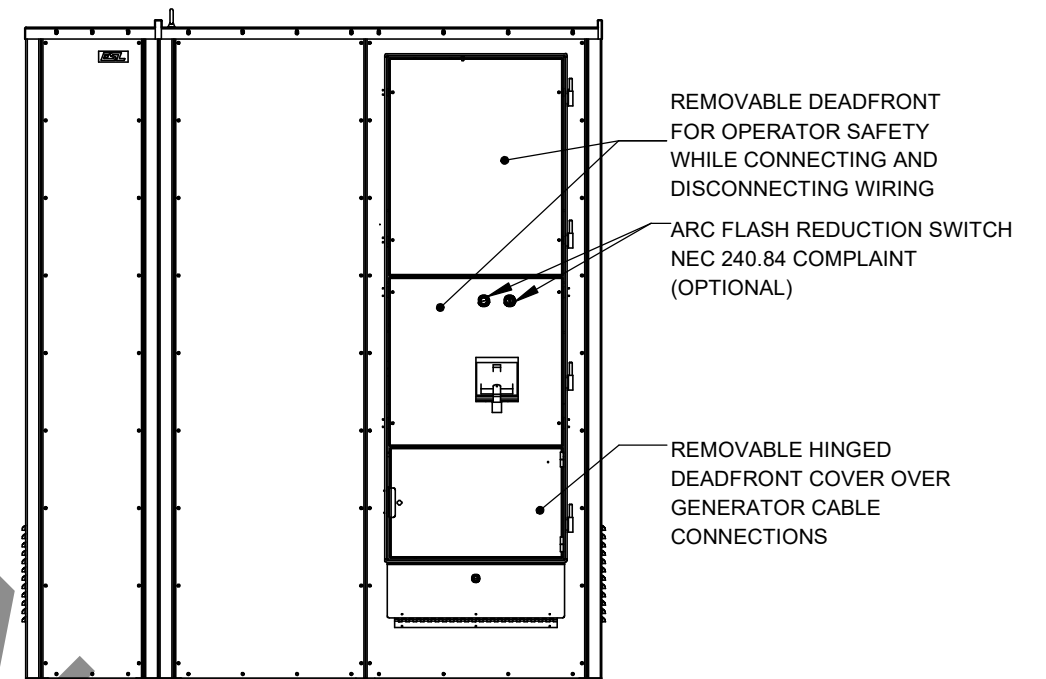
**TOP VIEW**



**FRONT VIEW (SKINS REMOVED)**



**RIGHT VIEW**



**FRONT VIEW (DOOR REMOVED)**

MODEL: 4632-SERIES

REV.	BY	DATE	DESCRIPTION
0	MAQ	01/25/2022	FOR REFERENCE

MATERIAL:	GALV STEEL
THICKNESS:	12 GAUGE
COLOR/FINISH:	WRINKLE GRAY (RAL 7035)
REFERENCE:	1011-54U-ASSY

**ESL** POWER SYSTEMS, INC.  
 CORONA, CALIFORNIA  
 (951) 739-7000 (800) 922-4188  
 eslpwr.com - info@eslpwr.com

2401-3200A  
 GENERATOR INLET BOX  
 TEMPTAP W/ DISCONNECT  
 3 PHASE + N + G

PART NUMBER  
**4632-SERIES**

SHEET  
 2 OF 2